

STATE OF MISSOURI  
DEPARTMENT OF NATURAL RESOURCES  
MISSOURI CLEAN WATER COMMISSION



## MISSOURI STATE OPERATING PERMIT

### General Operating Permit

In compliance with the Missouri Clean Water Law, (Chapter 644 R.S. Mo as amended, hereinafter, the Law), and the Federal Water Pollution Control Act (Public Law 92-500, 92nd Congress) as amended,

Permit No: MOGDS0219

Owner: Restoration House of Greater Kansas City  
Address: ReHope Farm  
25713 South State Route K  
HARRISONVILLE, MO 64701

Continuing Authority: Restoration House of Greater Kansas City  
ReHope Farm  
25713 South State Route K  
HARRISONVILLE, MO 64701

Facility Name: ReHope Farm  
Facility Address: 25713 South State Route K  
Harrisonville, MO 64701

Legal Description: See Page 2  
UTM Coordinates: See Page 2  
Receiving Stream: See Page 2  
First Classified Stream - ID#: See Page 2  
USGS# and Sub Watershed#: See Page 2

is authorized to discharge from the facility described herein, in accordance with the effluent limitations, benchmarks, and monitoring requirements as set forth herein.

**FACILITY DESCRIPTION** All Outfalls SIC #4952  
All Outfalls - Domestic treatment works discharging less than 50,000 gallons per day to rivers and streams.

This permit authorizes activities pursuant to the terms and conditions of this permit in the Missouri Clean Water Law and/or the National Pollutant Discharge Elimination System; it does not apply to other regulated activities.

February 01, 2025  
Issue Date

  
John Hoke, Director  
Water Protection Program

June 30, 2029  
Expiration Date

Outfall Number: 001  
Legal Description: Sec. 03, T44N, R30W, Cass County  
UTM Coordinates: 393307.803/4278428.215  
Receiving Stream: Tributary to Camp Br.  
First Classified Stream - ID#: Presumed Use Streams (C) 5058.00  
USGS# and Sub Watershed#: 10290108 - 0308

Outfall Number: 002  
Legal Description: Sec. 03, T44N, R30W, Cass County  
UTM Coordinates: 393301.311/4278431.955  
Receiving Stream: Tributary to Camp Br.  
First Classified Stream - ID#: Presumed Use Streams (C) 5058.00  
USGS# and Sub Watershed#: 10290108 - 0308

STATE OF MISSOURI  
**DEPARTMENT OF NATURAL RESOURCES**

MISSOURI CLEAN WATER COMMISSION



**MISSOURI STATE OPERATING PERMIT**

In compliance with the Missouri Clean Water Law (Chapter 644 RSMo, hereinafter, the Law) and the Federal Water Pollution Control Act (Public Law 92-500, 92<sup>nd</sup> Congress) as amended,

Permit No.: MO-GDS0000

Owner: < name >  
Address: < address >

Continuing Authority: < name, or Same as above >  
Address: < address, or Same as above >

Facility Name: < name >  
Facility Address: < physical address >

Legal Description: 1/4, 1/4, 1/4, Sec. xx, TxxN, RxxW, < county > County  
UTM Coordinates: X = , Y =

Receiving Stream: < receiving stream > < (C, P, P1, L2, L3) >  
First Classified Stream and ID: < 1<sup>st</sup> classified stream > <(C, P, etc.)> <(WBID #number)> 303(d) List  
USGS Basin and Sub-watershed No.: < (USGS HUC12 #) >

authorizes activities pursuant to the terms and conditions of this permit in accordance with the Missouri Clean Water Law and/or the National Pollutant Discharge Elimination System; it does not apply to other regulated activities.

**FACILITY DESCRIPTION**

All Outfalls – SIC Codes 4952, 6515, 8641

Treatment Works with design flow  $\leq$  50,000 gallons per day discharging domestic wastewater into rivers or streams. See applicability section for further details.

July 1, 2024  
Effective Date

June 30, 2029  
Expiration Date

  
\_\_\_\_\_  
John Hoke, Director, Water Protection Program

**PART I. APPLICABILITY**

1. This Missouri State Operating Permit (permit) authorizes the discharge of treated domestic wastewater from domestic wastewater treatment facilities with no industrial contributions to waters of the state of Missouri. Domestic wastewater, as defined at 10 CSR 20-6.010(26), originates from sanitary conveniences of residences, commercial buildings, factories, and institutions, including any stormwater which may have infiltrated into the sewers. This includes multiple industries, including, but not limited to, facilities with the primary Standard Industrial Classification (SIC) Codes below or facilities the Missouri Department of Natural Resources (department) determines are fundamentally similar to facilities that are under the below SIC Codes:

<u>SIC Code</u>	<u>Activity</u>
4952	Sewerage Systems
6515	Residential Mobile Home Parks
8641	Home Owners Associations

2. Some publicly owned treatment works (POTWs), including, but not limited to, schools, nursing homes, airports, ports, training centers, correctional centers, government owned facilities, and other institutional facilities may be eligible for coverage under this permit if they do not finance upgrades, operation, or maintenance of their domestic wastewater treatment facility based on residential sewer rates.
  - (a) Applicants will need to waive the finding of affordability requirement pursuant to Section 644.145, RSMo. Applicants may waive the finding of affordability requirement on Form B: Application for Operating Permit for Facilities that Receive Primarily Domestic Waste and Have a Design Flow Less Than or Equal to 100,000 Gallons Per Day.
3. The following facilities are excluded from this permit:
  - (a) POTWs which finance upgrades, operation, or maintenance of their domestic wastewater treatment facility based on residential sewer rates, including, but not limited to, municipalities, public sewer districts, public water supply districts, and political subdivisions;
  - (b) Facilities discharging domestic wastewater with industrial wastewater contributions;
  - (c) Facilities which land apply wastewater to the surface or subsurface;
  - (d) Facilities with a design average flow greater than 50,000 gpd of domestic wastewater;
  - (e) Facilities employing direct reuse of treated wastewater; and
  - (f) Facilities that have completed and received department approval of a Water Quality and Antidegradation Review that assigned limits more stringent than those in Table 3 of the department's Alternatives Analysis, which corresponds to Table C of this permit. The Alternatives Analysis may be viewed here: <https://dnr.mo.gov/document-search/water-quality-antidegradation-review-departments-alternatives-analysis-domestic-wastewater-facilities-design-flow-less-50000-gallons-day>.
4. Facilities which discharge directly to lakes or within one-half (1/2) stream mile before the stream enters a lake as measured to its conservation pool [10 CSR 20-7.015(1)(B)2.] are excluded from this permit unless one or both of the following applies;
  - (a) the facility completed and received department approval to discharge following the effluent limitations in Table 3 of the department's Alternatives Analysis and the facility discharges to a lake or a watershed of a lake that is a water of the state and has an area of at least ten acres during normal pool conditions. The Alternatives Analysis incorporates considerations for Lake Numeric Nutrient Criteria (NNC) for stream discharges per 10 CSR 20-7.031(5)(N); or
  - (b) the effluent limits in the applicable table in this permit are as stringent or more so than the limitations required in 10 CSR 20-7.015(3). This includes but is not limited to facilities which discharge within one-half (1/2) stream miles of a lake but the discharge reaches a losing stream prior to the lake.
5. This permit does not authorize discharges:
  - (a) To the watershed of a Metropolitan No-Discharge Stream per 10 CSR 20-7.015(5)(A) and 10 CSR 20-7.031(7);
  - (b) To systems which irrigate or inject wastewater directly to a subsurface water;
  - (c) Within the watershed of or directly to Outstanding National Resource Waters (ONRW), which includes the Ozark National Riverways and the National Wild and Scenic Rivers System. ONRW are protected against any degradation in quality as defined in 10 CSR 20-7.015(6)(A), 7.031(3)(C), and 7.031(8);
  - (d) Which cause the current water quality of Outstanding State Resource Waters to be lowered per 10 CSR 20-7.015(6)(B), 7.031(3)(C), and 7.031(9);
  - (e) Into watersheds above lakes and reservoirs designated as L1 in 10 CSR 20-7.031, per 10 CSR 20-7.015(3)(C), unless the discharge was permitted prior to the effective date of the rule and is in compliance with the terms and conditions of their permit;
  - (f) Directly into a designated cold water habitat as listed in 10 CSR 20-7.031; or
  - (g) Of stormwater, animal waste, process waste, or other similar waste.

6. Facilities located within the watershed of an impaired water as designated in the 303(d) List must be evaluated on a case-by-case basis for inclusion under this permit. Facilities found to be discharging the listed pollutant(s) of concern for any impaired water may be required to obtain a site-specific permit.
7. Proposed new facilities shall not obtain coverage under Tables A or B of this permit unless all effluent limitations as listed in an antidegradation review approved by the department match a corresponding table in this general permit. New facilities may be required to obtain a site-specific permit for the first permit cycle to ensure proper operations and treatment efficiency.
8. The department may require any facility authorized by a general permit to apply for a site-specific permit [10 CSR 20-6.010(13)(C)]. Cases where a site-specific permit may be required include, but are not limited to, the following:
  - (a) The discharge(s) is a significant contributor of a pollutant(s) which impairs the designated uses of the receiving stream;
  - (b) The discharger is not in compliance with the conditions of the general permit;
  - (c) A Total Maximum Daily Load (TMDL) containing requirements applicable to the discharge(s) is approved.
9. If a facility covered under a current general permit desires to apply for a site-specific permit, the facility may do so by contacting the department for application requirements and procedures.
10. Facilities covered under a current site-specific permit who desire to apply for inclusion under this general permit may contact the department for application requirements and procedures.
11. This operating permit does not affect, remove, or replace any requirement of the National Environmental Policy Act; the Endangered Species Act; the National Historic Preservation Act; the Comprehensive Environmental Response, Compensation and Liability Act; the Resource Conservation and Recovery Act; or any other relevant acts. Determination of applicability to the above mentioned acts is the responsibility of the permittee. Additionally, this permit does not establish terms and conditions for runoff resulting from silvicultural activities listed in Section 402(I)(3)(a) of the Clean Water Act.
12. Any discharges not expressly authorized in this permit and not clearly disclosed in the permit application cannot become authorized or shielded from liability under CWA section 402(k) or Section 644.051.19, RSMo, by disclosure to EPA, state, or local authorities after issuance of this permit via any means, including any other permit applications, funding applications, discharge monitoring reporting, or during an inspection. Discharges at the facility not expressly authorized by this permit must be covered by another permit, be exempt from permitting, or be authorized through some other method.

**PART II. EFFLUENT LIMITATIONS AND MONITORING REQUIREMENTS**

**Table A. Applicability:** Facilities with design flow ≤ 50,000 gpd which discharge to unclassified, Class C, or Class P streams.

ALL OUTFALLS	TABLE A. FINAL EFFLUENT LIMITATIONS AND MONITORING REQUIREMENTS					
	EFFLUENT PARAMETER(S)	UNITS	FINAL EFFLUENT LIMITATIONS			MONITORING REQUIREMENTS
DAILY MAXIMUM			WEEKLY AVERAGE	MONTHLY AVERAGE	MEASUREMENT FREQUENCY	SAMPLE TYPE
The facility is authorized to discharge from outfall(s) as specified. The final effluent limitations in <b>Table A</b> shall become effective on <b>Effective Date</b> and remain in effect until expiration of the permit. Such discharges shall be controlled, limited and monitored by the permittee as specified below:						
<b>eDMR Limit Set: A</b>						
Flow	MGD	*		*	once/quarter†	24 hr. estimate
Biochemical Oxygen Demand <sub>5</sub>	mg/L		45	30	once/quarter†	grab
Total Suspended Solids	mg/L		45	30	once/quarter†	grab
Ammonia as N (Jan 1 – Mar 31)	mg/L	8.4		2.4	once/quarter†	grab
Ammonia as N (Apr 1 – Jun 30)	mg/L	8.4		1.4	once/quarter†	grab
Ammonia as N (Jul 1 – Sep 30)	mg/L	6.9		0.9	once/quarter†	grab
Ammonia as N (Oct 1 – Dec 31)	mg/L	8.4		2.2	once/quarter†	grab
Total Residual Chlorine ( <b>Note 3, Page 9</b> )	µg/L	< 130		< 130	once/quarter†	grab
E. coli ( <b>eDMR Limit Set NA, PA, NB, or PB</b> )						
WBC-A ( <b>Note 1, Page 8</b> )	#/100mL	630***		126	once/quarter†	grab
<b>OR</b>		1,030***				
WBC-B ( <b>Note 1, Page 8</b> )						
EFFLUENT PARAMETER(S)	UNITS	MINIMUM		MAXIMUM	MEASUREMENT FREQUENCY	SAMPLE TYPE
pH – Units**	SU	6.5		9.0	once/quarter†	grab
EFFLUENT PARAMETER(S)	UNITS	DAILY MINIMUM		MONTHLY AVERAGE MINIMUM	MEASUREMENT FREQUENCY	SAMPLE TYPE
Dissolved Oxygen ( <b>Note 3, Page 9</b> )	mg/L	*		*	once/quarter†	grab
EFFLUENT PARAMETER(S)			UNITS	MONTHLY AVERAGE MINIMUM	MEASUREMENT FREQUENCY	SAMPLE TYPE
Percent Removal ( <b>eDMR Limit Set PR</b> )						
Biochemical Oxygen Demand <sub>5</sub> – Percent Removal ( <b>Note 5, Page 9</b> )			%	85	once/quarter†	calculated
Total Suspended Solids – Percent Removal ( <b>Note 5, Page 9</b> )			%	85	once/quarter†	calculated
MONITORING REPORTS SHALL BE SUBMITTED <b>QUARTERLY</b> ; THE FIRST REPORT IS DUE <b>MONTH 28, 20XX</b> .						

\* Monitoring requirement only.

\*\* pH is measured in pH units and is not to be averaged.

\*\*\* Publicly owned treatment works will receive a weekly average *E. coli* limit (**eDMR Limit Set PB or PA**) and privately owned facilities will receive a daily maximum *E. coli* limit (**eDMR Limit Set NB or NA**).

† Quarterly sampling is required. If a discharge occurs during the reporting period, samples shall be collected and tested for the parameters listed in Table A. Report as “No Discharge” when a discharge does not occur during the reporting period. If the facility serves part-time or seasonal establishment/residence(s), then sampling shall occur while the treatment facility is operating and after a discharge begins. If multiple samples are collected and analyzed during the sampling period, the multiple samples are not to be averaged at intervals exceeding one calendar month. See Table F on Page 8 for quarterly sampling schedule.

**Table B. Applicability:** Facilities with design flow ≤ 50,000 gpd which discharge to a losing stream.

ALL OUTFALLS	TABLE B. FINAL EFFLUENT LIMITATIONS AND MONITORING REQUIREMENTS						
	The facility is authorized to discharge from outfall(s) as specified. The final effluent limitations in <b>Table B</b> shall become effective on <b>Effective Date</b> and remain in effect until expiration of the permit. Such discharges shall be controlled, limited and monitored by the permittee as specified below:						
	EFFLUENT PARAMETER(S)	UNITS	FINAL EFFLUENT LIMITATIONS			MONITORING REQUIREMENTS	
DAILY MAXIMUM			WEEKLY AVERAGE	MONTHLY AVERAGE	MEASUREMENT FREQUENCY	SAMPLE TYPE	
<b>eDMR Limit Set: B</b>							
Flow	MGD	*		*	once/quarter†	24 hr. estimate	
Biochemical Oxygen Demand <sub>5</sub>	mg/L		15	10	once/quarter†	grab	
Total Suspended Solids	mg/L		20	15	once/quarter†	grab	
Ammonia as N (Jan 1 – Mar 31)	mg/L	8.4		2.4	once/quarter†	grab	
Ammonia as N (Apr 1 – Jun 30)	mg/L	8.4		1.4	once/quarter†	grab	
Ammonia as N (Jul 1 – Sep 30)	mg/L	6.9		0.9	once/quarter†	grab	
Ammonia as N (Oct 1 – Dec 31)	mg/L	8.4		2.2	once/quarter†	grab	
Total Residual Chlorine ( <b>Note 3, Page 9</b> )	µg/L	< 130		< 130	once/quarter†	grab	
E. coli ( <b>Limit Set L</b> ) Losing Streams ( <b>Note 2, Page 8</b> )	#/100mL	126		*	once/quarter†	grab	
EFFLUENT PARAMETER(S)	UNITS	MINIMUM		MAXIMUM	MEASUREMENT FREQUENCY	SAMPLE TYPE	
pH – Units**	SU	6.5		9.0	once/quarter†	grab	
EFFLUENT PARAMETER(S)	UNITS	DAILY MINIMUM		MONTHLY AVERAGE MINIMUM	MEASUREMENT FREQUENCY	SAMPLE TYPE	
Dissolved Oxygen ( <b>Note 3, Page 9</b> )	mg/L	*		*	once/quarter†	grab	
EFFLUENT PARAMETER(S)			UNITS	MONTHLY AVERAGE MINIMUM	MEASUREMENT FREQUENCY	SAMPLE TYPE	
Percent Removal ( <b>Limit Set PR</b> )							
Biochemical Oxygen Demand <sub>5</sub> – Percent Removal ( <b>Note 5, Page 9</b> )			%	85	once/quarter†	calculated	
Total Suspended Solids – Percent Removal ( <b>Note 5, Page 9</b> )			%	85	once/quarter†	calculated	
MONITORING REPORTS SHALL BE SUBMITTED <b>QUARTERLY</b> ; THE FIRST REPORT IS DUE <u>MONTH 28, 20XX</u> .							

\* Monitoring requirement only.

\*\* pH is measured in pH units and is not to be averaged.

† Quarterly sampling is required. If a discharge occurs during the reporting period, samples shall be collected and tested for the parameters listed in Table B. Report as “No Discharge” when a discharge does not occur during the reporting period. If the facility serves part-time or seasonal establishment/residence(s), then sampling shall occur while the treatment facility is operating and after a discharge begins. If multiple samples are collected and analyzed during the sampling period, the multiple samples are not to be averaged at intervals exceeding one calendar month. See Table G on Page 8 for quarterly sampling schedule.

**Table C. Applicability:** Facilities with design flow  $\leq 50,000$  gpd that have applied for and were approved to use the department's Alternatives Analysis which discharge to unclassified, Class C, Class P, or losing streams.

ALL OUTFALLS	TABLE C. FINAL EFFLUENT LIMITATIONS AND MONITORING REQUIREMENTS					
	The facility is authorized to discharge from outfall(s) as specified. The final effluent limitations in <b>Table C</b> shall become effective on <b>Effective Date</b> and remain in effect until expiration of the permit. Such discharges shall be controlled, limited and monitored by the permittee as specified below:					
EFFLUENT PARAMETER(S)	UNITS	FINAL EFFLUENT LIMITATIONS			MONITORING REQUIREMENTS	
		DAILY MAXIMUM	WEEKLY AVERAGE	MONTHLY AVERAGE	MEASUREMENT FREQUENCY	SAMPLE TYPE
<b>eDMR Limit Set: C</b>						
Flow	MGD	*		*	once/quarter†	24 hr. estimate
Biochemical Oxygen Demand <sub>5</sub>	mg/L		15	10	once/quarter†	grab
Total Suspended Solids	mg/L		15	10	once/quarter†	grab
Ammonia as N (Apr 1 – Sep 30)	mg/L	1.7		0.6	once/quarter†	grab
(Oct 1 – Mar 31)		5.6		2.1		
Total Residual Chlorine ( <b>Note 3, Page 9</b> )	µg/L	< 130		< 130	once/quarter†	grab
E. coli ( <b>Limit Set L, PA, or NA</b> ) ◇						
Losing Streams ( <b>Note 2, Page 8</b> )	#/100mL	126		*	once/quarter†	grab
<b>OR</b> Alternatives Analysis ( <b>Note 1, Page 8</b> )	#/100mL	630***		126	once/quarter†	grab
EFFLUENT PARAMETER(S)	UNITS	MINIMUM		MAXIMUM	MEASUREMENT FREQUENCY	SAMPLE TYPE
pH – Units**	SU	6.5		9.0	once/quarter†	grab
EFFLUENT PARAMETER(S)	UNITS	DAILY MINIMUM		MONTHLY AVERAGE MINIMUM	MEASUREMENT FREQUENCY	SAMPLE TYPE
Dissolved Oxygen ( <b>Note 3, Page 9</b> )	mg/L	*		*	once/quarter†	grab
EFFLUENT PARAMETER(S)			UNITS	MONTHLY AVERAGE MINIMUM	MEASUREMENT FREQUENCY	SAMPLE TYPE
Percent Removal ( <b>Limit Set PR</b> )						
Biochemical Oxygen Demand <sub>5</sub> – Percent Removal ( <b>Note 5, Page 9</b> )			%	85	once/quarter†	calculated
Total Suspended Solids – Percent Removal ( <b>Note 5, Page 9</b> )			%	85	once/quarter†	calculated
MONITORING REPORTS SHALL BE SUBMITTED <b>QUARTERLY</b> ; THE FIRST REPORT IS DUE <b>MONTH 28, 20XX</b> .						

\* Monitoring requirement only.

\*\* pH is measured in pH units and is not to be averaged.

\*\*\* Publicly owned treatment works will receive a weekly average *E. coli* limit (**eDMR Limit Set PA**) and privately owned facilities will receive a daily maximum *E. coli* limit (**eDMR Limit Set NA**).

† Quarterly sampling is required. If a discharge occurs during the reporting period, samples shall be collected and tested for the parameters listed in Table C. Report as “No Discharge” when a discharge does not occur during the reporting period. If the facility serves part-time or seasonal establishment/residence(s), then sampling shall occur while the treatment facility is operating and after a discharge begins. If multiple samples are collected and analyzed during the sampling period, the multiple samples are not to be averaged at intervals exceeding one calendar month. See Table F or G on Page 8 for quarterly sampling schedule.

◇ Facilities approved for the department's Alternatives Analysis shall meet the requirements for WBC-A for all discharges except for those to losing streams. Discharges to losing streams shall meet the bacterial requirements for losing streams.



**Table D. Applicability:**

- a. Facilities that qualify for Table C Applicability which discharge to a lake or a watershed of a lake that is a water of the state and has an area of at least ten acres during normal pool conditions.  
OR
- b. Facilities discharging within the White River Basin Watershed (USGS basin numbers 11010001, 11010002, 11010003).

ALL OUTFALLS	TABLE D. FINAL EFFLUENT LIMITATIONS AND MONITORING REQUIREMENTS						
	The facility is authorized to discharge from outfall(s) as specified. The final effluent limitations in <b>Table D</b> shall become effective on <b>Effective Date</b> and remain in effect until expiration of the permit. Such discharges shall be controlled, limited and monitored by the permittee as specified below						
	EFFLUENT PARAMETER(S)	UNITS	FINAL EFFLUENT LIMITATIONS			MONITORING REQUIREMENTS	
DAILY MAXIMUM			WEEKLY AVERAGE	MONTHLY AVERAGE	MEASUREMENT FREQUENCY	SAMPLE TYPE	
<b>eDMR Limit Set: PL</b>							
Total Phosphorus‡	mg/L	*		0.5	once/quarter†	grab	
Aluminum, Total Recoverable ( <b>Note 4, Page 9</b> )	µg/L	750		373.8	once/quarter†	grab	
Iron, Total Recoverable ( <b>Note 4, Page 9</b> )	µg/L	1,642.7		818.8	once/quarter†	grab	
<b>eDMR Limit Set: PM</b>							
Total Phosphorus§	mg/L	*		*	once/quarter†	grab	
MONITORING REPORTS SHALL BE SUBMITTED <b>QUARTERLY</b> ; THE FIRST REPORT IS DUE <b>MONTH 28, 20XX</b> .							

\* Monitoring requirement only.

\*\* pH is measured in pH units and is not to be averaged.

† Quarterly sampling is required. If a discharge occurs during the reporting period, samples shall be collected and tested for the parameters listed in Table D. Report as “No Discharge” when a discharge does not occur during the reporting period. If the facility serves part-time or seasonal establishment/residence(s), then sampling shall occur while the treatment facility is operating and after a discharge begins. If multiple samples are collected and analyzed during the sampling period, the multiple samples are not to be averaged at intervals exceeding one calendar month. See Table G on Page 8 for quarterly sampling schedule.

‡ A Phosphorus limit of 0.5 mg/L is required for the following:

- Facilities discharging to Lake Taneycomo (HUC 11010003) and its tributaries between Table Rock Dam and Power Site Dam; and
- Facilities discharging within the Table Rock Lake watershed (HUC 11010001 and 11010002).

§ Phosphorus monitoring is required for the following:

- Facilities discharging to the White River Basin (HUC 11010001, 11010002, and 11010003) that are not otherwise required to have phosphorus limits; and
- Facilities discharging to Lake Taneycomo (HUC 11010003) and its tributaries between Table Rock Dam and Power Site Dam permitted prior to May 9, 1994 which have a design flow of less than 22,500 gpd; or
- Facilities discharging to the Table Rock Lake watershed (HUC 11010001 and 11010002) permitted prior to November 30, 1999 which have a design flow of less than 22,500 gpd.

**Table E. Applicability:** All Publicly Owned Treatment Works (POTWs).

PERMITTED FEATURE <u>INF</u>	TABLE E. INFLUENT MONITORING REQUIREMENTS						
	PARAMETER(S)	UNITS	DAILY MAXIMUM	WEEKLY AVERAGE	MONTHLY AVERAGE	MEASUREMENT FREQUENCY	SAMPLE TYPE
The monitoring requirements in <b>Table E</b> shall become effective on <b>Effective Date</b> and remain in effect until expiration of the permit. The influent wastewater shall be monitored by the permittee as specified below:							
<b>eDMR Limit Set: E</b>							
Influent Monitoring							
Biochemical Oxygen Demand <sub>5</sub> ( <b>Note 5, Page 9</b> )	mg/L				*	once/quarter†	grab
Total Suspended Solids ( <b>Note 5, Page 9</b> )	mg/L				*	once/quarter†	grab
MONITORING REPORTS SHALL BE SUBMITTED <b>QUARTERLY</b> ; THE FIRST REPORT IS DUE <b>MONTH 28, 20XX</b> .							

\* Monitoring requirement only.

† Quarterly sampling is required. If a discharge occurs during the reporting period, samples shall be collected and tested for the parameters listed in Table E. Report as “No Discharge” when a discharge does not occur during the reporting period. If the facility serves part-time or seasonal establishment/residence(s), then sampling shall occur while the treatment facility is operating and after a discharge begins. If multiple samples are collected and analyzed during the sampling period, the multiple samples are not to be averaged at intervals exceeding one calendar month. See Table G on Page 8 for quarterly sampling schedule.

**QUARTERLY SAMPLING SCHEDULE:** All facilities.

TABLE F: MINIMUM QUARTERLY SAMPLING REQUIREMENTS (DISCHARGE WITH <i>E. COLI</i> LIMITS SUBJECT TO RECREATIONAL SEASON)				
QUARTER	MONTHS	<i>E. COLI</i> , TOTAL RESIDUAL CHLORINE (TRC), AND DISSOLVED OXYGEN	ALL OTHER PARAMETERS	REPORT IS DUE
First	January, February, March	Not required to sample.	Sample at least once during any month of the quarter	April 28 <sup>th</sup>
Second	April, May, June	Sample at least once during any month of the quarter	Sample at least once during any month of the quarter	July 28 <sup>th</sup>
Third	July, August, September	Sample at least once during any month of the quarter	Sample at least once during any month of the quarter	October 28 <sup>th</sup>
Fourth	October	Sample once during October	Sample at least once during any month of the quarter	January 28 <sup>th</sup>
	November, December	No sample required		

TABLE G: MINIMUM QUARTERLY SAMPLING REQUIREMENTS (DISCHARGE TO LOSING STREAMS OR SAMPLING NOT DETERMINED BY THE RECREATIONAL SEASON)			
QUARTER	MONTHS	QUARTERLY EFFLUENT PARAMETERS	REPORT IS DUE
First	January, February, March	Sample at least once during any month of the quarter	April 28 <sup>th</sup>
Second	April, May, June	Sample at least once during any month of the quarter	July 28 <sup>th</sup>
Third	July, August, September	Sample at least once during any month of the quarter	October 28 <sup>th</sup>
Fourth	October, November, December	Sample at least once during any month of the quarter	January 28 <sup>th</sup>

**Note 1** – Facilities are subject to effluent limitations for *E. coli* based on the most stringent recreational designated use within two miles downstream of the discharge. Effluent limitations and monitoring requirements for *E. coli* are applicable only during the recreational season from April 1 through October 31. The Monthly Average Limit for *E. coli* is expressed as a geometric mean. For POTWs, the Weekly Average for *E. coli* will be expressed as a geometric mean if more than one (1) sample is collected during a calendar week (Sunday through Saturday).

**Note 2** – Effluent limits of 126 #/100 mL daily maximum and monitoring only for monthly average for *E. coli* are applicable year round due to losing stream designation. No more than 10% of samples over the course of a calendar year shall exceed the 126 #/100 mL daily maximum.

**Note 3 – Disinfection**

(a) Facilities using exclusively UV disinfection are not required to sample for Total Residual Chlorine (TRC) or Dissolved Oxygen (DO). Simply report as “AG – Conditional Monitoring Not Required This Period” for TRC and DO in the eDMR system.

(b) Total Residual Chlorine (TRC) and Dissolved Oxygen (DO).

(1) The Water Quality Based Effluent Limit for Total Residual Chlorine was calculated to be **18 µg/L** (daily maximum limit) and **9 µg/L** (monthly average limit). These limits are below the Minimum Quantification Level (ML) of the most common and practical U.S. Environmental Protection Agency (EPA) approved CLTRC methods. The department has determined the current acceptable ML for TRC to be 130 µg/L when using the DPD Colorimetric Method #4500 – CL G, from Standard Methods for the Examination of Waters and Wastewater. The facility will conduct analyses in accordance with this method, or equivalent, and report actual analytical values. Measured values greater than or equal to the ML of 130 µg/L will be considered violations of the permit and values less than the ML of 130 µg/L will be considered to be in compliance with the permit limitation. The ML does not authorize the discharge of chlorine in excess of the effluent limits stated in the permit.

(2) Do not chlorinate or chemically dechlorinate if it is not needed to meet the limits in your permit. Facilities required to comply with recreation based *E. coli* limits are not required to disinfect during non-recreational months; do not chlorinate during non-recreational months. Disinfection is required year-round for facilities discharging to losing streams.

(3) If no chlorine was used in a given sampling period, an actual analysis for TRC and DO is not necessary. Simply report as “AG – Conditional Monitoring Not Required This Period” for TRC and DO in the eDMR system.

**Note 4 –** If no Aluminum or Iron was used in a given sampling period, an actual analysis is not necessary. Simply report as “AG – Conditional Monitoring Not Required this Period”.

**Note 5 – Percent removal and influent monitoring**

(a) Privately owned treatment works are not required to report percent removal nor conduct influent monitoring.

(b) Percent removal applies to all publicly owned treatment works. Influent sampling for BOD<sub>5</sub> and TSS is not required when the facility does not discharge effluent during the reporting period. Samples are to be collected prior to any treatment process and shall be collected on the same day effluent samples are collected. Calculate Percent Removal by using the following formula:  $[(\text{Average Influent} - \text{Average Effluent}) / \text{Average Influent}] \times 100\% = \text{Percent Removal}$ . Influent and effluent samples are to be taken during the same month. The Average Influent and Average Effluent values are to be calculated by adding the respective values together and dividing by the number of samples taken during the month. Influent samples are to be collected as a grab sample.

**PART III. STANDARD CONDITIONS**

In addition to specified conditions stated herein, this permit is subject to the attached Standard Conditions Part I and Standard Conditions Part III dated August 01, 2014 and August 1, 2019, and hereby incorporated as though fully set forth herein.

<https://dnr.mo.gov/document-search/standard-conditions-npdes-permits-aug-1-2014-part-i>

<https://dnr.mo.gov/document-search/standard-conditions-npdes-permits-part-iii-aug-1-2019>

**PART IV. PERMIT REQUIREMENTS**

1. **Electronic Discharge Monitoring Report (eDMR) Submission System.** Per 40 CFR Part 127 National Pollutant Discharge Elimination System (NPDES) Electronic Reporting Rule, reporting of effluent monitoring data and any report required by the permit (unless specifically directed otherwise by the permit), shall be submitted via an electronic system to ensure timely, complete, accurate, and nationally consistent set of data for the NPDES program. The eDMR system is currently the only department-approved reporting method for this permit unless specified elsewhere in this permit, or a waiver is granted by the department. The facility must register with the department’s eDMR system through the Missouri Gateway for Environmental Management (MoGEM) before the first report is due. Registration and other information regarding MoGEM can be found at <https://dnr.mo.gov/data-e-services/missouri-gateway-environmental-management-mogem>. Information about the eDMR system can be found at <https://dnr.mo.gov/water/business-industry-other-entities/reporting/electronic-discharge-monitoring-reporting-system-edmr>. If you experience difficulties with using the eDMR system you may contact [edmr@dnr.mo.gov](mailto:edmr@dnr.mo.gov) or call 855-789-3889 or 573-526-2082 for assistance.

2. The full implementation of this operating permit, which includes implementation of any applicable schedules of compliance, shall constitute compliance with all applicable federal and state statutes and regulations in accordance with Section 644.051.19, RSMo, and the Clean Water Act (CWA) section 402(k); however, this permit may be reopened and modified, or alternatively revoked and reissued:
  - (a) To comply with any applicable effluent standard or limitation issued or approved under Sections 301(b)(2)(C) and (D), 304(b)(2), and 307(a)(2) of the CWA, if the effluent standard or limitation so issued or approved:
    - (1) contains different conditions or is otherwise more stringent than any effluent limitation in the permit; or
    - (2) controls any pollutant not limited in the permit.
  - (b) The filing of a request by the permittee for a permit modification, termination, notice of planned changes, or anticipated non-compliance does not stay any permit condition.
3. Outfalls must be:
  - (a) Clearly marked in the field per 10 CSR 20-8.140(6)(C).
  - (b) Made accessible for sampling and site inspection purposes;
  - (c) Maintained so a sample of the discharge can be obtained at a point after the final treatment process and before the discharge mixes with receiving waters;
  - (d) Protected and maintained against the effects of floodwater, ice, or other hazards as to reasonably ensure its structural stability and freedom from stoppage [10 CSR 20-8.140(6)].
4. Permittee will cease discharge by connection to a facility with an area-wide management plan per 10 CSR 20-6.010(2)(B) within the timeframe allotted by the continuing authority with its notice of its availability. The permittee shall obtain department approval for closure according to section 10 CSR 20-6.010(12) or alternate use of these facilities.
5. Reporting of Non-Detects:
  - (a) An analysis conducted by the permittee or their contracted laboratory shall be conducted in such a way that the precision and accuracy of the analyzed result can be enumerated.
  - (b) See sufficiently sensitive test method requirements in Standard Conditions Part I, Section A.4 regarding proper testing and method minimum levels used for sample analysis.
  - (c) The permittee shall not report a sample result as "Non-Detect" without also reporting the method minimum level of the test. Reporting as "Non Detect" without also including the method minimum level, will be considered failure to report, which is a violation of this permit.
  - (d) The permittee shall provide the "Non-Detect" sample result using the less than symbol and the method minimum level (e.g., <50 µg/L, if the method minimum level for the parameter is 50 µg/L).
  - (e) Where the permit contains a department determined Minimum Quantification Level (ML) and the permittee is granted authority in the permit to report zero in lieu of the < ML for a specified parameter (conventional, priority pollutants, metals, etc.), then zero (0) is to be reported for that parameter.
  - (f) For the daily maximum, the facility shall report the highest value. If the highest value was a non-detect, use the less than "<" symbol and the laboratory's highest method minimum level.
  - (g) For reporting an average based on all non-detected values, remove the "<" sign from the values, average the values, and then add the "<" symbol back to the resulting average.
  - (h) For reporting an average based on a mix of detected and non-detected values (not including *E. coli*), assign a value of "0" for all non-detects for that reporting period and report the average of all the results.
  - (i) When *E. coli* is not detected above the method minimum level, the permittee must report the data qualifier signifying less than detection limit for that parameter (e.g., <1 #/100mL, if the method minimum level is 1 #/100mL). For reporting a geometric mean based on a mix of detected and non-detected values, use one-half of the detection limit (instead of zero) for non-detects when calculating geometric means.
  - (j) See the Fact Sheet Appendix - Non-Detect Example Calculations for further guidance.
6. POTWs and facilities regulated by the Public Service Commission with design population equivalent greater than 200 shall comply with any applicable requirements listed in 10 CSR 20-9 for operator certification and operational monitoring. The monitoring frequencies contained in this permit shall not be construed by the permittee as a modification of the monitoring frequencies listed in 10 CSR 20-9.010(5). Operational monitoring reports must be submitted via eDMR along with discharge monitoring reports per 10 CSR 20-9.010(2). If a modification of the monitoring frequencies listed in 10 CSR 20-9 is needed, the facility shall submit a written request to the Water Protection Program, Water Pollution Control Branch, Operating Permits Section, for review.
7. Bypasses and Other Unauthorized Discharges.
  - (a) Any spill, overflow, or other discharge(s) not specifically authorized in the permit above are unauthorized discharges.
  - (b) Should an unauthorized discharge cause or permit any contaminants to discharge or enter waters of the state, the unauthorized discharge must be reported to the regional office as soon as practicable but no more than 24 hours after the discovery of the discharge. If the spill or overflow needs to be reported after normal business hours or on the weekend, the facility must call the department's 24 hour spill line at 573-634-2436.

- (c) Bypasses are not authorized at this facility unless they meet the criteria in 40 CFR 122.41(m). If a bypass occurs, the permittee shall report in accordance to 40 CFR 122.41(m)(3), and with Standard Condition Part I, Section B.2. Bypasses are to be reported to the appropriate regional office during normal business hours or by using the online Sanitary Sewer Overflow/Facility Bypass Application located at: <https://dnr.mo.gov/data-e-services/missouri-gateway-environmental-management-mogem> or the Environmental Emergency Response spill-line at 573-634-2436 outside of normal business hours. Once an electronic reporting system compliant with 40 CFR Part 127, the National Pollutant Discharge Elimination System (NPDES) Electronic Reporting Rule, is available all bypasses must be reported electronically via the new system.
8. The facility must be sufficiently secured to restrict entry by children, livestock and unauthorized persons as well as to protect the facility from vandalism.
  9. An all-weather access road to the treatment facility shall be maintained.
  10. Facilities with media filter beds shall keep the filter beds properly maintained to prevent surface pooling, vegetative growth, and accumulation of leaf litter.
  11. An Operation and Maintenance (O & M) manual shall be maintained by the permittee and made available to the operator. The O & M manual shall include key operating procedures and a brief summary of the operation of the facility.
  12. The permittee shall give notice to the department as soon as possible of any planned physical alterations or additions to the permitted facility when:
    - (a) The alteration or addition could significantly change the nature or increase the quantity of pollutants in the discharge. This notification applies to pollutants subject to the effluent limitations of this permit as well as new pollutants different from pollutants listed in this permit; or
    - (b) The alteration or addition results in a significant change in discharge practices and may justify the application of permit conditions different from or absent in the current permit.Physical alterations or additions to the existing treatment system may be subject to construction permit requirements per 10 CSR 20-6.010(5). Facilities currently covered by this general permit, or interesting in being covered by this general permit, are required to obtain an Antidegradation Review, even if an existing facility conducts an expansion which results in a design flow of less than or equal to 50,000 gpd.
  13. Compliance with all requirements in this permit does not supersede nor remove liability for compliance with county or other local ordinances.
  14. The laboratory results of all samples from a discharge collected and analyzed must be retained with monitoring records for a minimum of three years and made available to the department upon request.
  15. The permittee shall furnish to the department, upon request and within 48 hours unless explicitly granted more time in writing, copies of records required to be kept according to the terms and conditions of this permit. All records required by this permit may be maintained electronically per Section 432.255, RSMo. These records should be maintained in a searchable format.
  16. This permit authorizes sludge handling via any of the methods contained in the attached Standard Conditions Part III, for which the facility has received previous approval from the department. If a facility would like approval for another method of sludge disposal not previously approved, the facility shall submit a plan to the appropriate department regional office. The plan must demonstrate compliance with the requirements of Standard Conditions Part III. A map of the department regional offices and contact information is located on the department's website at <https://dnr.mo.gov/about-us/division-environmental-quality/regional-office>.

## **PART V. PERMIT RENEWAL**

1. Unless terminated, the permittee shall submit an application for the renewal of this permit by submitting *Form B: Application for Operating Permit for Facilities that Receive Primarily Domestic Waste and Have A Design Flow Less Than or Equal to 100,000 Gallons Per Day* <https://dnr.mo.gov/document-search/form-b-application-operating-permit-facilities-receive-primarily-domestic-waste-have-design-flow-less-or-equal-100000-gallons-day-mo-780-1512> no later than thirty (30) days prior to the permit's expiration date.
2. When a facility submits a timely and complete application in accordance with 10 CSR 20-6.010(10)(C)1, and the department is unable through no fault of the permittee to issue a renewed permit prior to expiration of the previous permit, the terms and conditions of the expired permit are administratively continued and will remain fully effective and enforceable until such time when a permit action is taken. Failure to submit a renewal application is a violation of the Missouri Clean Water Law. Failure to apply for renewal of a permit may result in termination of this permit and enforcement action to compel compliance with this condition and the Missouri Clean Water Law.

## **PART VI. PERMIT TRANSFER**

1. This permit may not be transferred to a new owner in any fashion except by submitting an *Application for Transfer of Operating Permit* <https://dnr.mo.gov/sites/dnr/files/vfc/2018/10/main/780-1517-f.pdf> along with the appropriate modification fee. In some cases, revocation and reissuance may be necessary. Standard Condition Part 1, Section D.7 applies.
2. Facilities that undergo transfers of ownership without notice to the department are considered to be operating without a permit.

## **PART VII. PERMIT TERMINATION**

1. The permittee shall apply for permit termination when activities covered by this permit have ceased and proper closure procedures have been conducted as required by 10 CSR 20-6.010(12).
2. Proper closure of any effluent storage structure is required prior to permit termination. See <https://dnr.mo.gov/document-search/wastewater-treatment-plant-closure-pub2568/pub2568> for more information on closure.
3. Permits do not terminate automatically upon expiration. In order to terminate this permit, the permittee shall notify the department's appropriate regional office by completing and submitting *Request for Termination of Operating Permit* <https://dnr.mo.gov/document-search/request-termination-operating-permit-mo-780-2814>. The department may require inspection of the premises prior to granting termination of a permit.

## **PART VIII. NOTICE OF RIGHT TO APPEAL**

If you were adversely affected by this decision, you may be entitled to pursue an appeal before the administrative hearing commission (AHC) pursuant to Sections 621.250 and 644.051.9, RSMo. To appeal, you must file a petition with the AHC within thirty days after the date this decision was mailed or the date it was delivered, whichever date was earlier. If any such petition is sent by registered mail or certified mail, it will be deemed filed on the date it is mailed; if it is sent by any method other than registered mail or certified mail, it will be deemed filed on the date it is received by the AHC. Any appeal should be directed to:

Administrative Hearing Commission  
U.S. Post Office Building, Third Floor  
131 West High Street, P.O. Box 1557  
Jefferson City, MO 65102-1557  
Phone: 573-751-2422  
Fax: 573-751-5018  
Website: <https://ahc.mo.gov>

**MISSOURI DEPARTMENT OF NATURAL RESOURCES**  
**FACT SHEET FOR MASTER GENERAL PERMIT**  
**MO-GDS0000**

The Federal Water Pollution Control Act [Clean Water Act (CWA)] Section 402 of Public Law 92-500 (as amended) established the National Pollution Discharge Elimination System (NPDES) permit program. This program regulates the discharge of pollutants from point sources into the waters of the United States and the release of stormwater from certain point sources. All such discharges are unlawful without a permit (Section 301 of the CWA). After a permit is obtained, a discharge not in compliance with all permit terms and conditions is unlawful. Missouri State Operating Permits (permit) are issued by the Missouri Department of Natural Resources (department) under an approved program operated in accordance with federal and state laws (Federal CWA and Missouri Clean Water Law Section 644 as amended). Permits are issued for a period of five (5) years unless otherwise specified.

Per 40 CFR 124.56, 40 CFR 124.8, and 10 CSR 20-6.020(1)(A)2, a Fact Sheet shall be prepared to give pertinent information regarding the applicable regulations, rationale for the development of effluent limitations and conditions, and the public participation process for the permit. A Fact Sheet is not an enforceable part of an MSOP.

**Part I – Facility Information**

Facility Type: Domestic Treatment Works – no industrial contributions  
Facility SIC Code(s): 4952, 6515, 8641

This permit establishes a requirement for quarterly monitoring and reporting for pollutants of concern from this type of facility or for all facilities covered under this permit. Effluent parameters established in this permit are common constituents of domestic wastewater or are required by state or federal law. Local conditions are not considered when developing conditions for a general permit. A facility may apply for a site-specific permit if they desire a review of site-specific conditions.

**CLARIFICATION:**

Effluent limits for Total Residual Chlorine (TRC) were updated to reflect a change in the water quality standard chronic criteria since previous permit issuance. Compliance with TRC remains that of actual analytical values below 130 µg/L, the Minimum Quantification Level of the most common approved testing method.

Total Phosphorus requirements are applicable to all facilities within the White River basin which includes the watersheds for Lake Taneycomo and Table Rock Lake. The previous permit did not account for this requirement for facilities which did not fall under tables for direct discharges to lakes. Facilities which are required by 10 CSR 20-7.015 to sample and report Total Phosphorus, but were erroneously omitted from this requirement in the previous general permit, shall meet these requirements in this renewal. If facilities have not had this requirement in a previous permit, general or site specific, the facility should contact the department.

Per 10 CSR 20-7.031(5)(N), Lake Numeric Nutrient Criteria (NNC) for lakes is applicable statewide. NNC is assessed during antidegradation review. Facilities that have applied for and were approved to use the department's Alternatives Analysis shall meet a Total Phosphorus effluent limit, including facilities discharging within lake watersheds outside of the White River Basin. Such facilities are subject to Tables C and D of this master general permit.

The applicability for Table C has been clarified to include losing streams in addition to other stream types.

**CHANGES TO THE RENEWAL OF THIS PERMIT INCLUDE:**

- Discharges to lakes and streams have been separated into respective general permits.
- Updated language throughout the permit to current permit language used by the department.
- POTWs which do not operate on a budget based on user rates have been included in this permit. This inclusion is reflected by the addition of requirements specific to POTWs: percent removal, influent monitoring, and weekly average limits instead of daily maximum, where appropriate.
- Added applicability statements which prohibit new discharges from being covered under Tables A or B of this permit unless allowed by antidegradation review, clarification this permit does not affect, remove, or replace other relevant environmental regulations, and addition of a permit shield which prohibits discharges not expressly authorized by this permit.
- Revised ammonia effluent limits for Tables A and B.
- The table allowing monitoring only for ammonia for facilities with flows less than 1,500 gpd and discharging to a Class P stream was removed as there are no facilities permitted under that table.

- Permit requirements under Part IV include the following changes:
  - Revised:
    - eDMR reporting.
    - Requirement 2(b) added.
    - Outfall accessibility.
    - Reporting of non-detects and addition of appendix with examples.
    - 10 CSR 20 Chapter 9 requirements to include applicable POTWs.
    - Reporting bypassing and unauthorized discharges.
    - Sludge treatment, storage, and disposal methods regarding department approval.
  - Removed:
    - The requirement to maintain a gate and fence at the facility. Fencing and gates are assumed as part of the requirement to be sufficiently secured, so this redundancy was removed.
  - Added:
    - The addition of an Operation and Maintenance Manual.
    - The requirement for maintaining media filter beds.
    - Requirement to notify the department of planned changes.
    - Clarification regarding county or other local ordinances.
    - Keeping laboratory records on site.
    - Supplying records upon request and within 24 hours.

## **Part II – Receiving Stream Information**

### **APPLICABLE DESIGNATIONS OF WATERS OF THE STATE:**

Per Missouri Effluent Regulations (10 CSR 20-7.015), the waters of the state are divided into seven (7) categories. Each category lists effluent limitations for specific parameters, which are presented in each outfall's Effluent Limitation Table and further discussed in the Derivation & Discussion of Effluent Limitations section. This permit applies to facilities discharging to the following water body categories:

- Missouri or Mississippi River [10 CSR 20-7.015(2)]
- Lakes or Reservoirs [10 CSR 20-7.015(3)]
- Losing Streams [10 CSR 20-7.015(4)]
- Metropolitan No-Discharge Streams [10 CSR 20-7.015(5)]
- Special Streams [10 CSR 20-7.015(6)]
- Subsurface Waters [10 CSR 20-7.015(7)]
- All Other Waters [10 CSR 20-7.015(8)]

Missouri Water Quality Standards (10 CSR 20-7.031) defines the Clean Water Commission water quality objectives in terms of "water uses to be maintained and the criteria to protect those uses." The permit contains terms and conditions to ensure that all designed water uses are maintained in accordance with 10 CSR 20-7.031(4). A general permit does not take into consideration site-specific conditions.

### **MIXING CONSIDERATIONS:**

This permit applies to receiving streams of varying low-flow conditions. Therefore, the effluent limitations must be based on the smallest low-flow streams considered, which includes waters without designated uses. As such, no mixing is allowed [10 CSR 20-7.031(5)(A)4.B.(I)(a)]. No Zone of Initial Dilution is allowed. [10 CSR 20-7.031(5)(A)4.B.(I)(b)].

### **RECEIVING STREAM MONITORING REQUIREMENTS:**

There are no receiving water monitoring requirements recommended at this time.

## **Part III – Rationale and Derivation of Effluent Limitations & Permit Conditions**

### **305(b) REPORT, 303(d) LIST, & TOTAL MAXIMUM DAILY LOAD (TMDL):**

Section 305(b) of the Federal CWA requires each state identify waters not meeting Water Quality Standards and for which adequate water pollution controls have not been required. Water Quality Standards protect such beneficial uses of water as whole body contact, maintaining fish and other aquatic life, and providing drinking water for people, livestock, and wildlife. The 303(d) list helps state and federal agencies keep track of waters which are impaired but not addressed by normal water pollution control programs.

A TMDL is a calculation of the maximum amount of a given pollutant a body of water can absorb before its water quality is affected.



If a water body is determined to be impaired as listed on the 303(d) list, then a watershed management plan will be developed which shall include the TMDL calculation. For facilities with an existing general permit before a TMDL is written on their receiving stream, the department will evaluate the permit and may require any facility authorized by this general permit to apply for and obtain a site-specific operating permit. Requests for coverage of a new facility under this general permit will be evaluated on a case-by-case basis for facilities located within the watershed of an impaired water as designated on the 305(b) Report.

#### **ALTERNATIVE EVALUATIONS FOR NEW FACILITIES:**

As per [10 CSR 20-7.015(4)(F)], discharges to losing streams shall be permitted only after other alternatives including land application, discharges to a gaining stream, and connection to a regional wastewater treatment facility have been evaluated and determined to be unacceptable for environmental and/or economic reasons.

- ✓ Facilities covered under this permit which discharge to a Losing Stream as defined by [10 CSR 20-2.010(40)] & [10 CSR 20-7.031(1)(O)], underwent an alternative evaluation during the approval of construction which determined alternative options to be unacceptable for environmental and/or economic reasons.

#### **ANTI-BACKSLIDING:**

A provision in the Federal Regulations [CWA Section 303(d)(4); CWA Section 402(c); 40 CFR Part 122.44(l)] requires a reissued permit to be as stringent as the previous permit with some exceptions.

- ✓ Applicable: Limitations in this operating permit for the reissuance conform to the anti-backsliding provisions of Section 402(o) of the Clean Water Act, and 40 CFR Part 122.44.
- ✓ Information is available which was not available at the time of permit issuance (other than revised regulations, guidance, or test methods) which would have justified the application of a less stringent effluent limitation.
  - **Ammonia as N (Tables A and B)**. Effluent limitations were re-calculated for Ammonia using new ecoregional pH and Temperature data. The department previously followed the 2007 Ammonia Guidance method for derivation of ammonia limits. However, the EPA's Technical Support Document for Water Quality-based Toxic Controls (TSD) establishes other alternatives to limit derivation. The department has determined that the approach established in Section 5.4.2 of the TSD, which allows for direct application of both the acute and chronic wasteload allocations (WLA) as permit limits for toxic pollutants, is more appropriate limit derivation approach. Using this method for a discharge to a waterbody where mixing is not allowed, the criterion continuous concentration (CCC) and the criterion maximum concentration (CMC) will equal the chronic and acute WLA respectively. The WLAs are then applied as effluent limits, per Section 5.4.2 of the TSD, where the CMC is the Daily Maximum and the CCC is the Monthly Average. The direct application of both acute and chronic criteria as WLA is also applicable for facilities that discharge into receiving waterbodies with mixing considerations. The CCC and CMC will need to be calculated into WLA with mixing considerations using the mass-balance equation. The most protective ecoregional limits are applied, which resulted in less stringent daily maximums in all four quarters. Monthly average limits remain as stringent or more stringent under this new derivation. This backsliding is justified as there is information available which was not available at the time of the previous permit issuance (new ecoregional data). The newly established limitations are still protective of water quality. Also, the revision of the effluent limits also meets the requirements of the safety clause, as the removal will not result in a violation of a water quality standard.
  - **Total Residual Chlorine (TRC)**. The previous permit contained a Water Quality Standard for chlorine which is outdated. When the previous permit was issued, the chronic criteria utilized for warm water habitats was 10 µg/L. The current Water Quality Standard for Total Residual Chlorine in warm water habitats is 11 µg/L for chronic criteria. The acute criteria remains unchanged at 19 µg/L. The previous permit included final effluent limitations of 17 µg/L as a daily maximum and 8 µg/L as a monthly average. Effluent limits were recalculated using current criteria, resulting in final effluent limitations of 18 µg/L as a daily maximum and 9 µg/L as a monthly average. This backsliding is justified as there is information available which was not available at the time of the previous permit issuance (new Water Quality Standards). This new information justifies the revision of the effluent limits at the time of permit issuance. Also, the revision of the effluent limits also meets the requirements of the safety clause, as the removal will not result in a violation of a water quality standard.
  - **Removal of previous permit Table A**. The previous permit contained a table which was applicable to facilities with design flow ≤ 1,500 gpd or actual flow that does not exceed 1,500 gpd and discharges to a Class P stream with a stream flow to design flow ratio of 10:1 or greater. This table was removed as there are no facilities permitted under it. Facilities eligible for this general permit under the previous Table A which desire to be included in this permit shall be evaluated for applicability of this permit's Table A. This backsliding is justified as there is information available which was not available at the time of the previous permit issuance (no facilities covered under this table). This new information justifies the removal of the table at the time of permit issuance. Also, the removal of the table meets the requirements of the safety clause, as the removal will not result in a violation of a water quality standard.

- **Discharges to Lakes.** The previous permit contained tables (B, B2, D, D2) allowing discharges to lakes, including those discharges which occur ½ stream mile upstream of a lake as measured to its conservation pool. These facilities are covered under a separate general permit (MOGD-00000). Discharges to lakes may only be covered under this permit if the facility is eligible for Table C of this permit and discharges to a lake or a watershed of a lake that is a water of the state and has an area of at least ten acres during normal pool conditions. Such facilities are required to meet effluent limit for total Phosphorus in Table D. This backsliding is justified as there is information available which was not available at the time of the previous permit issuance (separate general permit for domestic discharges to lakes). This new information justifies the removal tables for lake discharges at the time of permit issuance. Also, the removal of the tables meets the requirements of the safety clause, as the removal will not result in a violation of a water quality standard.
- ✓ The department determined technical mistakes or mistaken interpretations of law were made in issuing the permit under section 402(a)(1)(b).
  - The previous permit indicated “There Shall Be No Discharge of Floating Solids or Visible Foam in Other Than Trace Amounts” under prior tables A, B, C, D, E, and F. The statement was not evaluated against actual site conditions and there was no determination as to whether the discharges have reasonable potential to cause or contribute to excursion of those general water quality criteria in the previous permit, therefore, this general criteria was re-assessed. This permit assesses the general criteria found at 10 CSR 20-7.031(4)(B). Federal regulation 40 CFR 122.44(d)(1)(iii) requires instances where reasonable potential (RP) to cause or contribute to an exceedance of a water quality standard exists, a numeric limitation must be included in the permit. Rather than conducting the appropriate RP determination, the previous permit simply placed the prohibitive language in the permit tables. This language was removed from the permit. Specific effluent limitations were not included for the general criteria of 10 CSR 20-7.031(4)(B) as it was determined that this facility does not discharge solids or foam in amounts which would indicate reasonable potential, therefore the statement was removed. Facilities shall adhere to final effluent limitations and Standard Conditions established in this permit, therefore there is no reasonable potential for the discharge to cause an excursion of this criterion. Removal of the prohibitions does not reduce the protections of the permit or allow for impairment of the receiving stream. The permit maintains sufficient effluent limitations, monitoring requirements, and best management practices to protect water quality while maintaining permit conditions applicable to permittee disclosures and in accordance with 10 CSR 20-7.031(4) where no water contaminant by itself or in combination with other substances shall prevent the water of the state from meeting the following conditions:
    - Waters shall be free from oil, scum, and floating debris in sufficient amounts to be unsightly or prevent full maintenance of designated uses.
      - ✓ For all outfalls, there is no RP for scum and floating debris in sufficient amounts to be unsightly preventing full maintenance of designated uses because nothing in the research the permit writer did on the domestic wastewater indicates scum and floating debris will be present in sufficient amounts to impair beneficial uses.
  - The previous permit contained a requirement for the facility to maintain a gate to provide access to the facility and prevent unauthorized access. The permit writer has determined this condition was not required by current provisions in 10 CSR 20-8.140. The previous permit also specified the need for a fence, but as requirement 9 of this permit requires sufficient security, a separate requirement for a gate and fence is redundant, therefore the condition was removed.

#### **ANTIDEGRADATION:**

Antidegradation policies ensure protection of water quality for a particular water body on a pollutant-by-pollutant basis to ensure Water Quality Standards are maintained to support beneficial uses such as fish and wildlife propagation and recreation on and in the water. This also includes special protection of waters designated as an Outstanding National Resource Water or Outstanding State Resource Water [10 CSR 20-7.031(3)(C)]. Antidegradation policies are adopted to minimize adverse effects on water.

In accordance with Missouri’s Water Quality Standard [10 CSR 20-7.031(3)], for domestic wastewater discharge with new, altered, or expanding discharges, the department is to document by means of Antidegradation Review that the use of a water body’s available assimilative capacity is justified. In accordance with Missouri’s water quality regulations for antidegradation [10 CSR 20-7.031(3)], degradation may be justified by documenting the socio-economic importance of a discharge after determining the necessity of the discharge. Facilities must submit the antidegradation review request to the department prior to establishing, altering, or expanding discharges. See <https://dnr.mo.gov/document-search/antidegradation-implementation-procedure>.

- ✓ Not Applicable; Antidegradation reviews are performed at the time of construction. No degradation is proposed, and no further review is necessary.

#### **AREA-WIDE WASTE TREATMENT MANAGEMENT & CONTINUING AUTHORITY:**

As per [10 CSR 20-6.010(2)(C)], an applicant may utilize a lower preference continuing authority when a higher level authority is available by submitting information as part of the application to the department for review and approval, provided it does not conflict with any area-wide management plan approved under section 208 of the Federal Clean Water Act or any other regional sewage service

and treatment plan approved for higher preference authority by the department.

**CONTINUING AUTHORITY:**

Each application for an operating permit shall identify the person, as that term is defined in Section 644.016.15, RSMo that is the owner of, operator of, or area-wide management authority for a water contaminant source, point source, wastewater treatment facility, or sewer collection system. This person shall be designated as the continuing authority and shall sign the application. By doing so, the person designated as the continuing authority acknowledges responsibility for compliance with all permit conditions.

10 CSR 20-6.010(2) establishes preferential levels for continuing authorities: Levels 1 through 5 (with Level 1 as the highest level), and generally requires permits to be issued to a higher preference continuing authority if available. A Level 3, 4, or 5 applicant may constitute a continuing authority by showing that Level 1 and Level 2 authorities are not available; do not have jurisdiction; are forbidden by state statute or local ordinance from providing service to the person; or that the Level 3, 4, or 5 applicant has met one of the requirements listed in paragraphs (2)(C)1.-7. of 10 CSR 20-6.010(2). The seven options in paragraphs (2)(C)1.-7. for a lower-level authority to demonstrate that it is the valid continuing authority are:

1. A waiver from the existing higher authority declining the offer to accept management of the additional wastewater or stormwater;
2. A written statement or a demonstration of non-response from the higher authority;
3. A to-scale map showing all parts of the legal boundary of the facility's property are beyond 2000 feet from the collection (sewer) system operated by the higher preference authority;
4. A proposed connection or adoption charge by the higher authority that would equal or exceed what is economically feasible for the applicant, which may be in the range of one hundred twenty percent (120%) of the applicant's cost for constructing or operating a wastewater treatment system;
5. A proposed service fee on the users of the system by the higher authority that is above what is affordable for existing homeowners in that area;
6. Terms for connection or adoption by the higher authority that would require more than two (2) years to achieve full sewer service; or
7. A demonstration that the terms for connection or adoption by the higher authority are not viable or feasible to homeowners in the area.

Permit applicants that are Levels 3, 4, and 5 must, as part of their application, identify their method of compliance with this regulation. The following are the methods to comply.

- No higher level authorities are available to the facility;
- No higher level authorities have jurisdiction;
- Higher level authorities are forbidden by state statute or local ordinance from providing service to the person;
- The existing higher level authority is available to the facility, however the facility has proposed the use of a lower preference continuing authority, has met one of the requirements listed in paragraphs (2)(C)1.-7. of 10 CSR 20-6.010(2), and issuance of this permit does not conflict with any area-wide management plan approved under section 208 of the Clean Water Act or by the Missouri Clean Water Commission.

**BIOSOLIDS & SEWAGE SLUDGE:**

Biosolids are solid materials resulting from domestic wastewater treatment that meet federal and state criteria for beneficial uses (i.e. fertilizer). Sewage sludge is solids, semi-solids, or liquid residue generated during the treatment of domestic sewage in a treatment works; including but not limited to, domestic septage; scum or solids removed in primary, secondary, or advanced wastewater treatment process; and a material derived from sewage sludge. Sewage sludge does not include ash generated during the firing of sewage sludge in a sewage sludge incinerator or grit and screening generated during preliminary treatment of domestic sewage in a treatment works.

- ✓ Permittee is authorized to treat and dispose of sludge via any of the methods contained in Standard Conditions Part III for which the facility has received previous approval from the department. Sludge/biosolids may be removed by contract hauler, incinerated, composted, stored in a lagoon, or land applied, provided the facility has approval for such disposal methods. If removal and disposal (landfill, land apply, haul to another permitted treatment facility, etc.) of sludge/biosolids is needed and the facility does not currently have approval for the desired method of disposal, the permittee shall contact the appropriate department regional office. For time sensitive situations, the permittee may contact the department to see about approval for a one-time removal and disposal of sludge/biosolids that are not currently approved.

**ELECTRONIC DISCHARGE MONITORING REPORT (EDMR) SUBMISSION SYSTEM:**

The U.S. Environmental Protection Agency (EPA) promulgated a final rule on October 22, 2015, to modernize Clean Water Act reporting for municipalities, industries, and other facilities by converting to an electronic data reporting system. The final rule requires regulated entities and state and federal regulators to use information technology to electronically report data required by the National

Pollutant Discharge Elimination System (NPDES) permit program instead of filing paper reports. To comply with the federal rule, the department is requiring all permittees to begin submitting discharge monitoring data and reports online.

Per 40 CFR 127.15 and 127.24, permitted facilities may request a temporary waiver for up to 5 years or a permanent waiver from electronic reporting from the department. To obtain an electronic reporting waiver, a permittee must first submit an eDMR Waiver Request Form: <https://dnr.mo.gov/document-search/electronic-discharge-monitoring-report-waiver-request-form-mo-780-2692>. A request must be made for each facility. If more than one facility is owned or operated by a single entity, then the entity must submit a separate request for each facility based on its specific circumstances. An approved waiver is not transferable.

The department must review and notify the facility within 120 calendar days of receipt if the waiver request has been approved or rejected [40 CFR 127.24(a)]. During the department review period, as well as after a waiver is granted, the facility must continue submitting a hard-copy of any reports required by their permit. The department will enter data submitted in hard-copy from those facilities allowed to do so and electronically submit the data to the EPA on behalf of the facility.

To assist the facility in entering data into the eDMR system, the permit describes limit sets in each table in Part A of the permit. The data entry personnel should use these identifiers to ensure data entry is being completed appropriately.

**FEES:**

It is a violation of the Missouri Clean Water Law to fail to pay fees associated with this permit (644.055 RSMo).

**GENERAL CRITERIA CONSIDERATIONS:**

In accordance with 40 CFR 122.44(d)(1), effluent limitations shall be placed into permits for pollutants determined to cause, have reasonable potential to cause, or to contribute to, an excursion above any water quality standard, including narrative water quality criteria. In order to comply with this regulation, the permit writer has completed a reasonable potential determination on whether discharges have reasonable potential to cause, or contribute to an excursion of the general criteria listed in 10 CSR 20-7.031(4). In instances where reasonable potential exists, the permit includes limitations within the permit to address the reasonable potential. In discharges where reasonable potential does not exist, the permit may include monitoring to later determine the discharge's potential to impact the narrative criteria. Additionally, Section 644.076.1, RSMo as well as Section D – Administrative Requirements of Standard Conditions Part I of this permit state it shall be unlawful for any person to cause or allow any discharge of water contaminants from any water contaminant or point source located in Missouri in violation of Sections 644.006 to 644.141 of the Missouri Clean Water Law or any standard, rule, or regulation promulgated by the commission.

**LAND APPLICATION:**

Requirements for these types of operations are found in 10 CSR 20-6.015; authority to regulate these activities is from Section 644.026, RSMo.

✓ Not applicable; this permit does not authorize operation of a surficial land application system to disperse wastewater or sludge.

**NUTRIENT MONITORING:**

Nutrient monitoring is required for facilities characteristically or expected to discharge nutrients (nitrogenous compounds and/or phosphorus) when the design flow is equal to or greater than 0.1 MGD per 10 CSR 20-7.015(9)(D)8.

✓ Not applicable; this permit does not cover discharge exceeding 50,000 gallons per day.

**NUMERIC LAKE NUTRIENT CRITERIA:**

Regulations established in 10 CSR 20-7.015 as well as the department's lake nutrient criteria implementation plan do not require nutrient monitoring for facilities with design flows less than or equal to 0.1 MGD. Should a lake be identified as impaired due to nutrient loading, the department will conduct watershed modeling to determine if applicable facilities have reasonable potential to cause or contribute to the impairment. Consequently, monitoring or effluent limitations may be established at a later date based on the modeling results. This may require facilities under this permit within such watersheds to receive a site specific permit. For more information, please see the department's Nutrient Criteria Implementation Plan at: <https://dnr.mo.gov/document-search/nutrient-criteria-implementation-plan-july-27-2018>.

**OPERATOR CERTIFICATION REQUIREMENTS:**

As per 10 CSR 20-6.010(8), the permittee shall operate and maintain facilities to comply with the Missouri Clean Water Law and applicable permit conditions and regulations. Operators at regulated wastewater treatment facilities shall be certified in accordance with 10 CSR 20-9.020(2) and any other applicable state law or regulation. As per 10 CSR 20-9.020(2)(A), requirements for operation by certified personnel shall apply to all wastewater treatment systems with population equivalents greater than 200 and are owned or operated by or for municipalities, public sewer districts, counties, public water supply districts, private sewer companies regulated by the Public Service Commission and state or federal agencies.

- ✓ Applicable to facilities under this permit which are owned or operated by a public entity or Public Service Commission regulated entity and having a design population equivalent greater than 200.

**OPERATIONAL CONTROL TESTING:**

Missouri Clean Water Commission regulation 10 CSR 20-9.010 requires certain publicly owned treatment works and privately owned facilities regulated by the Public Service Commission to conduct internal operational control monitoring to further ensure proper operation of the facility and to be a safeguard or early warning for potential plant upsets that could affect effluent quality. This requirement is only applicable if the publicly owned treatment works and privately owned facilities regulated by the Public Service Commission has a calculated Population Equivalent greater than two hundred (200).

10 CSR 20-9.010(3) allows the department to modify the monitoring frequency required in the rule based upon the department's judgement of monitoring needs for process control at the specified facility.

- ✓ Applicable to facilities under this permit which are owned or operated by a public entity or Public Service Commission regulated entity and having a design population equivalent greater than 200. These operational monitoring reports are to be submitted to the department along with the MSOP discharge monitoring reports.

**PERMIT SHIELD:**

The permit shield provision of the Clean Water Act (Section 402(k)) and Missouri Clean Water Law (644.051.19 RSMo) provides that when a permit holder is in compliance with its NPDES permit or MSOP, they are effectively in compliance with certain sections of the Clean Water Act and equivalent sections of the Missouri Clean Water Law. In general, the permit shield is a legal defense against certain enforcement actions, but it is only available when the facility is in compliance with its permit and satisfies other specific conditions, including having completely disclosed all discharges and all facility processes and activities to the department at time of application. It is the facility's responsibility to ensure that all potential pollutants, waste streams, discharges, and activities, as well as wastewater land application, storage, and treatment areas, are all fully disclosed to the department at the time of application or during the draft permit review process. Subsequent requests for authorization to discharge additional pollutants or expanded or newly disclosed flows, or for authorization for previously unpermitted and undisclosed activities or discharges, will likely require permit modification or may require the facility be covered under a site specific permit.

**PRETREATMENT PROGRAM:**

The reduction of the amount of pollutants, the elimination of pollutants, or the alteration of the nature of pollutant properties in wastewater prior to or in lieu of discharging or otherwise introducing such pollutants into a Publicly Owned Treatment Works [40 CFR Part 403.3(q)].

Pretreatment programs are required at any POTW (or combination of POTW operated by the same authority) and/or municipality with a total design flow greater than 5.0 MGD and receiving industrial wastes that interfere with or pass through the treatment works or are otherwise subject to the pretreatment standards. Pretreatment programs can also be required at POTWs/municipals with a design flow less than 5.0 MGD if needed to prevent interference with operations or pass through.

- ✓ Not Applicable; the facilities covered under this permit are not allowed to accept industrial contributions, so pretreatment is not required.

**REASONABLE POTENTIAL ANALYSIS (RPA):**

Federal regulation 40 CFR Part 122.44(d)(1)(i) requires effluent limitations for all pollutants which are or may be discharged at a level which will cause or have the reasonable potential to cause or contribute to an in-stream excursion above narrative or numeric water quality standard. In accordance with 40 CFR Part 122.44(d)(1)(iii) if the permit writer determines any given pollutant has the reasonable potential to cause or contribute to an in-stream excursion above the water quality standard, the permit must contain effluent limits for the pollutant.

- ✓ Conservative assumption; a traditional statistical Reasonable Potential Analysis has not been conducted for this master general permit; instead the department has made a reasonable potential determination based on sources of pollutants related to water quality standards. The permit writer reviewed available DMR data, available past inspections, and other documents and research to evaluate general and narrative water quality reasonable potential for this permit. Activities performed by facilities covered

under this master general permit were evaluated as to whether discharges have reasonable potential to cause or contribute to excursions of general criteria listed in 10 CSR 20-7.031(4). A reasonable potential to violate water quality standards is assumed for the pollutants of concern due to the nature of the activities carried out under this permit, resulting in the effluent limits contained in the permit.

**REMOVAL EFFICIENCY:**

Removal efficiency is a method by which the Federal Regulations define Secondary Treatment and Equivalent to Secondary Treatment, which applies to Biochemical Oxygen Demand 5-day (BOD<sub>5</sub>) and Total Suspended Solids (TSS) for Publicly Owned Treatment Works (POTWs)/municipals.

- ✓ Applicable to POTWs; Secondary Treatment is 85% removal [40 CFR Part 133.102(a)(3) & (b)(3)].

**SANITARY SEWER OVERFLOWS (SSO) AND INFLOW AND INFILTRATION (I&I):**

Sanitary Sewer Overflows (SSOs) are defined as untreated sewage releases and are considered bypassing under state regulation [10 CSR 20-2.010(12)] and should not be confused with the federal definition of bypass. SSOs result from a variety of causes including blockages, line breaks, and sewer defects that can either allow wastewater to backup within the collection system during dry weather conditions or allow excess stormwater and groundwater to enter and overload the collection system during wet weather conditions. SSOs can also result from lapses in sewer system operation and maintenance, inadequate sewer design and construction, power failures, and vandalism. SSOs include overflows out of manholes, cleanouts, broken pipes, and other into waters of the state and onto city streets, sidewalks, and other terrestrial locations.

Inflow and Infiltration (I&I) is defined as unwanted intrusion of stormwater or groundwater into a collection system. This can occur from points of direct connection such as sump pumps, roof drain downspouts, foundation drains, and storm drain cross-connections or through cracks, holes, joint failures, faulty line connections, damaged manholes, and other openings in the collection system itself. I&I results from a variety of causes including line breaks, improperly sealed connections, cracks caused by soil erosion/settling, penetration of vegetative roots, and other sewer defects. In addition, excess stormwater and groundwater entering the collection system from line breaks and sewer defects have the potential to negatively impact the treatment facility.

Section 644.026.1(13), RSMo mandates that the department issue permits for discharges of water contaminants into the waters of this state, and also for the operation of sewer systems. Such permit conditions shall ensure compliance with all requirements as established by Sections 644.006 to 644.141, RSMo. Standard Conditions Part I, referenced in the permit, contains provisions requiring proper operation and maintenance of all facilities and systems of treatment and control. Section 644.026.1(15), RSMo instructs the department to require proper maintenance and operation of treatment facilities and sewer systems and proper disposal of residual waste from all such facilities. To ensure that public health and the environment are protected, any noncompliance which may endanger public health or the environment must be reported to the department within 24 hours of the time the permittee becomes aware of the noncompliance. Standard Conditions Part I, referenced in the permit, contains the reporting requirements for the permittee when bypasses and upsets occur.

- ✓ This facility is not required to develop or implement a program for maintenance and repair of the collection system; however, it is a violation of Missouri State Environmental Laws and Regulations to allow untreated wastewater to discharge to waters of the state.

**SCHEDULE OF COMPLIANCE (SOC):**

Per Section 644.051.7, RSMo, a permit may be issued with a Schedule of Compliance (SOC) to provide time for a facility to come into compliance with new state or federal effluent regulations, water quality standards, or other requirements. Such a schedule is not allowed if the facility is already in compliance with the new requirement, or if prohibited by other statute or regulation. A SOC includes an enforceable sequence of interim requirements (actions, operations, or milestone events) leading to compliance with the Missouri Clean Water Law, its implementing regulations, and/or the terms and conditions of an operating permit. *See also* Section 502(17) of the Clean Water Act, and 40 CFR §122.2. For new effluent limitations, the permit may include interim monitoring for the specific parameter to demonstrate the facility is not already in compliance with the new requirement. Per 40 CFR § 122.47(a)(1), 10 CSR 20-7.031(11), and 10 CSR 20-7.015(9)(C), compliance must occur as soon as possible. If the permit provides a schedule for meeting new water quality based effluent limits, a SOC must include an enforceable, final effluent limitation in the permit even if the SOC extends beyond the life of the permit.

- ✓ Not Applicable: This permit does not contain a SOC.

**SPILL REPORTING:**

Any emergency involving a hazardous substance must be reported to the department’s 24 hour Environmental Emergency Response hotline at (573) 634-2436 at the earliest practicable moment after discovery. The department may require the submittal of a written report detailing measures taken to clean up a spill. These reporting requirements apply when the spill results in chemicals or materials leaving the permitted property or reaching waters of the state. This requirement is in addition to the noncompliance reporting requirement found in Standard Conditions Part I. <https://revisor.mo.gov/main/OneSection.aspx?section=260.500&bid=13989&hl>

Underground and above ground storage devices for petroleum products, vegetable oils, and animal fats may be subject to control under Spill Prevention, Control, and Countermeasure (SPCC) and are expected to be managed under those provisions, if applicable. Substances regulated by federal law under the Resource Conservation and Recovery Act (RCRA) or the Comprehensive Environmental Response, Compensation, and Liability Act (CERCLA) which are transported, stored, or used for maintenance, cleaning or repair shall be managed according to the provisions of RCRA and CERCLA.

**STANDARD CONDITIONS:**

The Standard Conditions Part I attached to this permit incorporate all sections of 40 CFR 122.41(a) through (n) by reference as required by law. These conditions, in addition to the conditions enumerated within the standard conditions should be reviewed by the permittee to ascertain compliance with this permit, state regulations, state statutes, federal regulations, and the Clean Water Act. Standard Conditions Part III, if attached to this permit, incorporate requirements for domestic wastewater, sludge, and land application.

**VARIANCE:**

As per Section 644.061.3, RSMo, variances shall be granted for such period of time and under such terms and conditions as shall be specified by the commission in its order. The variance may be extended by affirmative action of the commission. In no event shall the variance be granted for a period of time greater than is reasonably necessary for complying with the Missouri Clean Water Law §§644.006 to 644.141 or any standard, rule or regulation promulgated pursuant to Missouri Clean Water Law §§644.006 to 644.141.

✓ Not Applicable: This permit is not drafted under premises of a petition for variance.

**WASTELOAD ALLOCATIONS (WLA) FOR LIMITS:**

As per [10 CSR 20-2.010(86)], the amount of pollutant each discharger is allowed by the department to release into a given stream after the department has determined total amount of pollutant that may be discharged into that stream without endangering its water quality.

✓ Wasteload allocations were calculated where applicable using water quality criteria or water quality model results and the dilution equation below:

$$C_e = \frac{(Q_e + Q_s)C - (Q_s \times C_s)}{(Q_e)} \quad (\text{EPA/505/2-90-001, Section 4.5.5})$$

Where C = downstream concentration      C<sub>e</sub> = effluent concentration  
 C<sub>s</sub> = upstream concentration            Q<sub>e</sub> = effluent flow  
 Q<sub>s</sub> = upstream flow

Chronic wasteload allocations were determined using applicable chronic water quality criteria (CCC: criteria continuous concentration) and stream volume of flow at the edge of the mixing zone (MZ). Acute wasteload allocations were determined using applicable water quality criteria (CMC: criteria maximum concentration) and stream volume of flow at the edge of the zone of initial dilution (ZID).

Water quality based maximum daily and average monthly effluent limitations were calculated using methods and procedures outlined in USEPA’s “Technical Support Document For Water Quality-based Toxics Control” (EPA/505/2-90-001).

Number of Samples “n”:

Additionally, in accordance with the TSD for water quality-based permitting, effluent quality is determined by the underlying distribution of daily values, which is determined by the Long Term Average (LTA) associated with a particular Wasteload Allocation (WLA) and by the Coefficient of Variation (CV) of the effluent concentrations. Increasing or decreasing the monitoring frequency does not affect this underlying distribution or treatment performance, which should be, at a minimum, be targeted to comply with the values dictated by the WLA. Therefore, it is recommended that the actual planned frequency of monitoring normally be used to determine the value of “n” for calculating the AML. However, in situations where monitoring frequency is once per month or less, a higher value for “n” must be assumed for AML derivation purposes. Thus, the statistical procedure being employed using an assumed number of samples is “n = 4” at a minimum. For Total Ammonia as Nitrogen, “n = 30” is used.

**WLA MODELING:**

There are two general types of effluent limitations, technology-based effluent limits (TBELs) and water quality based effluent limits (WQBELs). If TBELs do not provide adequate protection for the receiving waters, then WQBEL must be used.

- ✓ A WLA study was either not submitted or determined not applicable by department staff.

**WATER QUALITY STANDARDS:**

Per 10 CSR 20-7.031(4), General Criteria shall be applicable to all waters of the state at all times, including mixing zones. Additionally, 40 CFR 122.44(d)(1) directs the department to include in each NPDES permit conditions to achieve water quality established under Section 303 of the CWA, including state narrative criteria for water quality.

**WHOLE EFFLUENT TOXICITY (WET) TEST:**

Per 10 CSR 20-7.031(1)(GG), a toxicity test conducted under specified laboratory conditions on specific indicator organism; and per 40 CFR 122.2, the aggregate toxic effect of an effluent measured directly by a toxicity test. A WET test is a quantifiable method of determining if a discharge from a facility may be causing toxicity to aquatic life by itself, in combination with, or through synergistic responses when mixed with receiving water.

- ✓ Not Applicable: At this time, permittees are not required to conduct a WET test. The permit writer conducted a reasonable potential determination for all anticipated pollutants and established numeric effluent limitations where reasonable potential exists. The permit writer determined facilities authorized to discharge under this general permit do not have reasonable potential to exceed narrative water quality standards for acute toxicity at this time.

**40 CFR 122.41(M) - BYPASSES:**

The federal Clean Water Act (CWA), Section 402 prohibits wastewater dischargers from “bypassing” untreated or partially treated sewage (wastewater) beyond the headworks. A bypass is defined as an intentional diversion of waste streams from any portion of a treatment facility, [40 CFR 122.41(m)(1)(i)]. Additionally, Missouri regulation 10 CSR 20-7.015(9)(G) states a bypass means the intentional diversion of waste streams from any portion of a treatment facility, except in the case of blending, to waters of the state. Only under exceptional and specified limitations do the federal regulations allow for a facility to bypass some or all of the flow from its treatment process. Bypasses are prohibited by the CWA unless a permittee can meet all of the criteria listed in 40 CFR 122.41(m)(4)(i)(A), (B), & (C). Any bypasses from this facility are subject to the reporting required in 40 CFR 122.41(1)(6) and per Missouri’s Standard Conditions I, Section B.2(b). Additionally, Anticipated Bypasses include bypasses from peak flow basins or similar devices designed for peak wet weather flows.

- ✓ This facility does not anticipate bypassing.



## Part IV – Effluent Limitations Determination

Any flow through the outfall(s) is considered a discharge and must be sampled and reported as provided below. Future permit action due to permit modification may contain new operating permit terms and conditions which supersede the terms and conditions, including effluent limitations, of this operating permit. Daily maximums and monthly averages are required per 40 CFR 122.45(d)(1) for continuous discharges (not from a POTW). Average weekly and average monthly discharge limitations are required for POTWs per 40 CFR 122.45(d)(2).

**EFFLUENT LIMITATIONS FOR TABLE A:** Discharge to unclassified, Class C, or Class P streams.

PARAMETER	Unit	Basis for Limits	Daily Maximum	Weekly Average	Monthly Average	Previous Permit Limit	Sampling Frequency	Reporting Frequency	Sample Type ◊
Flow	MGD	1	*		*	*/*	1/quarter	quarterly	E
BOD <sub>5</sub>	mg/L	1		45	30	45/30	1/quarter	quarterly	G
TSS	mg/L	1		45	30	45/30	1/quarter	quarterly	G
Ammonia as N (Jan – Mar)	mg/L	2	8.4		2.4	7.5/2.9	1/quarter	quarterly	G
Ammonia as N (Apr – Jun)	mg/L	2	8.4		1.4	3.6/1.4	1/quarter	quarterly	G
Ammonia as N (Jul – Sep)	mg/L	2	6.9		0.9	3.6/1.4	1/quarter	quarterly	G
Ammonia as N (Oct – Dec)	mg/L	2	8.4		2.2	7.5/2.9	1/quarter	quarterly	G
Chlorine, Total Residual	µg/L	1, 2	< 130		< 130	<130/<130	1/quarter	quarterly	G
<i>Escherichia coli</i> *** (WBC-A)	#/100mL	1, 2	630****		126	630/126	1/quarter	quarterly	G
<i>Escherichia coli</i> *** (WBC-B)	#/100mL	1, 2	1,030****		206	1,030/206	1/quarter	quarterly	G
PARAMETER	Unit	Basis for Limits	Minimum		Maximum	Previous Permit Limit	Sampling Frequency	Reporting Frequency	Sample Type ◊
pH**	SU	1, 2	6.5		9.0	6.5/9.0	1/quarter	quarterly	G
PARAMETER	Unit	Basis for Limits	Daily Minimum		Monthly Avg. Min	Previous Permit Limit	Sampling Frequency	Reporting Frequency	Sample Type ◊
Dissolved Oxygen (DO)	mg/L	2, 5	*		*	*/*	1/quarter	quarterly	G
BOD <sub>5</sub> Percent Removal	%	1			85	NEW	1/quarter	quarterly	M
TSS Percent Removal	%	1			85	NEW	1/quarter	quarterly	M

**EFFLUENT LIMITATIONS FOR TABLE B:** Discharge to losing streams.

PARAMETER	Unit	Basis for Limits	Daily Maximum	Weekly Average	Monthly Average	Previous Permit Limit	Sampling Frequency	Reporting Frequency	Sample Type ◊
Flow	MGD	1	*		*	*/*	1/quarter	quarterly	E
BOD <sub>5</sub>	mg/L	1		15	10	15/10	1/quarter	quarterly	G
TSS	mg/L	1		20	15	20/15	1/quarter	quarterly	G
Ammonia as N (Jan – Mar)	mg/L	2	8.4		2.4	7.5/2.9	1/quarter	quarterly	G
Ammonia as N (Apr – Jun)	mg/L	2	8.4		1.4	3.6/1.4	1/quarter	quarterly	G
Ammonia as N (Jul – Sep)	mg/L	2	6.9		0.9	3.6/1.4	1/quarter	quarterly	G
Ammonia as N (Oct – Dec)	mg/L	2	8.4		2.2	7.5/2.9	1/quarter	quarterly	G
Chlorine, Total Residual	µg/L	1, 2	< 130		< 130	<130/<130	1/quarter	quarterly	G
<i>Escherichia coli</i> *** (losing)	#/100mL	1, 2	126		*	126/*	1/quarter	quarterly	G
PARAMETER	Unit	Basis for Limits	Minimum		Maximum	Previous Permit Limit	Sampling Frequency	Reporting Frequency	Sample Type ◊
pH**	SU	1, 2	6.5		9.0	6.5/9.0	1/quarter	quarterly	G
PARAMETER	Unit	Basis for Limits	Daily Minimum		Monthly Avg. Min	Previous Permit Limit	Sampling Frequency	Reporting Frequency	Sample Type ◊
Dissolved Oxygen (DO)	mg/L	2, 5	*		*	*/*	1/quarter	quarterly	G
BOD <sub>5</sub> Percent Removal	%	1			85	NEW	1/quarter	quarterly	M
TSS Percent Removal	%	1			85	NEW	1/quarter	quarterly	M

**EFFLUENT LIMITATIONS FOR TABLE C:** Discharge to unclassified, Class C, Class P, or losing streams approved under the department’s Alternatives Analysis.

PARAMETER	Unit	Basis for Limits	Daily Maximum	Weekly Average	Monthly Average	Previous Permit Limit	Sampling Frequency	Reporting Frequency	Sample Type ◊
Flow	MGD	1, 3, 4	*		*	*/*	1/quarter	quarterly	E
BOD <sub>5</sub>	mg/L	3, 4		15	10	15/10	1/quarter	quarterly	G
TSS	mg/L	3, 4		15	10	15/10	1/quarter	quarterly	G
Ammonia as N (Apr 1 – Sep 30)	mg/L	2, 3, 4	1.7		0.6	1.7/0.6	1/quarter	quarterly	G
Ammonia as N (Oct 1– Mar 31)	mg/L	2, 3, 4	5.6		2.1	5.6/2.1	1/quarter	quarterly	G
Chlorine, Total Residual	µg/L	1, 2	< 130		< 130	<130/<130	1/quarter	quarterly	G
<i>Escherichia coli</i> *** (losing)	#/100mL	1, 2	126		*	126/*	1/quarter	quarterly	G
<i>Escherichia coli</i> *** (WBC-A)	#/100mL	1, 2	630****		126	630/126	1/quarter	quarterly	G
PARAMETER	Unit	Basis for Limits	Minimum		Maximum	Previous Permit Limit	Sampling Frequency	Reporting Frequency	Sample Type ◊
pH**	SU	1, 2, 3	6.5		9.0	6.5/9.0	1/quarter	quarterly	G
PARAMETER	Unit	Basis for Limits	Daily Minimum		Monthly Avg. Min	Previous Permit Limit	Sampling Frequency	Reporting Frequency	Sample Type ◊
Dissolved Oxygen (DO)	mg/L	2, 5	*		*	*/*	1/quarter	quarterly	G
BOD <sub>5</sub> Percent Removal	%	1			85	NEW	1/quarter	quarterly	M
TSS Percent Removal	%	1			85	NEW	1/quarter	quarterly	M

**EFFLUENT LIMITATIONS FOR TABLE D:** Facilities that qualify for Table C Applicability which discharge to a lake or a watershed of a lake that is a water of the state and has an area of at least ten acres during normal pool conditions OR Facilities discharging within the

White River Basin Watershed (USGS basin numbers 11010001, 11010002, 11010003).

PARAMETER	Unit	Basis for Limits	Daily Maximum	Weekly Average	Monthly Average	Previous Permit Limit	Sampling Frequency	Reporting Frequency	Sample Type ◊
Total Phosphorus♦	mg/L	1, 2, 3	*		0.5	*/0.5	1/quarter	quarterly	G
Aluminum, Total Recoverable♦	µg/L	1, 2	750		373.8	750/373.8	1/quarter	quarterly	G
Iron, Total Recoverable♦	µg/L	1, 2	1,642.7		818.8	1,642.7/818.8	1/quarter	quarterly	G
Total Phosphorus♦	mg/L	1, 2	*		*	NEW	1/quarter	quarterly	G

**INFLUENT LIMITATIONS FOR TABLE F:** Influent monitoring required for POTWs.

PARAMETER	Unit	Basis for Limits	Daily Maximum	Weekly Average	Monthly Average	Previous Permit Limit	Sampling Frequency	Reporting Frequency	Sample Type ◊
BOD <sub>5</sub> Percent Removal	%	1	*		*	NEW	1/quarter	quarterly	G
TSS Percent Removal	%	1			*	NEW	1/quarter	quarterly	G

- \* Monitoring and reporting requirement only
  - \*\* Report the minimum and maximum pH values; pH is not to be averaged
  - \*\*\* # of colonies/100mL; the Monthly Average for *E. coli* is a geometric mean. For losing streams, no more than 10% of samples over the course of the calendar year shall exceed 126 #/100 mL daily maximum
  - \*\*\*\* Publicly owned treatment works will receive a weekly average *E. coli* limit and privately owned facilities will receive a daily maximum *E. coli* limit.
  - NEW Parameter not established in previous state operating permit
  - ◊ E = 24-hr. estimate, G = Grab, M = Measured/calculated
  - ♦ The previous permit contained requirements for Total Phosphorus, Aluminum, and Iron for facilities discharging to lakes within the White River Basin and for facilities approved under the Alternatives Analysis which discharge to a lake or watershed of a lake with an area of at least ten acres during normal pool conditions. The previous permit did not capture facilities discharging to unclassified, Class C, or Class P streams within the White River Basin Watershed. Such facilities are required to meet limits for Total Phosphorus unless exempt as described below.
    - If discharging to Lake Taneycomo and its tributaries between Table Rock Dam and Power Site Dam (HUC 11010003), discharges meeting both the following conditions shall be exempt from a Total Phosphorus limit of 0.5 mg/L:
      1. Those permitted prior to May 9, 1994; and
      2. Those with design flows of less than 22,500 gpd
    - If discharging to the Table Rock Lake watershed (HUC 11010001 and 11010002), discharges meeting both of the following conditions are exempt from a Total Phosphorus limit of 0.5 mg/L.
      1. Those permitted prior to November 30, 1999; and
      2. Those with design flows less than 22,500 gpd.
- Facilities exempt from Total Phosphorus limits for Lake Taneycomo and Table Rock Lake shall still conduct monitoring. Facilities discharging to the White River Basin (HUC 11010001, 11010002, and 11010003) that are not otherwise required to have phosphorus limits shall conduct phosphorus monitoring per 10 CSR 20-7.015(3)(G).

**Basis for Limitations Codes:**

1. State or Federal Regulation/Law
2. Water Quality Based Effluent Limits
3. Antidegradation Review
4. Antidegradation Policy
5. Best Professional Judgment

**DERIVATION AND DISCUSSION OF LIMITS:**

**Flow.** In accordance with [40 CFR Part 122.44(i)(1)(ii)], the volume of effluent discharged from each outfall is needed to assure compliance with permitted effluent limitations. If the permittee is unable to obtain effluent flow, then it is the responsibility of the permittee to inform the department, which may require the submittal of an operating permit modification. The facility will report flow in millions of gallons per day (MGD).

**Biochemical Oxygen Demand - 5 Day (BOD<sub>5</sub>)**

- **Table A:** Operating permit retains 45 mg/L as a Weekly Average and 30 mg/L as a Monthly Average from the previous permit. Effluent limits were established in accordance with 10 CSR 20-7.015(2) for discharges to the Missouri or Mississippi Rivers and 10 CSR 20-7.015(8) for discharges to All Other Waters.
- **Table B:** Operating permit retains 15 mg/L as a Weekly Average and 10 mg/L as a Monthly Average from the previous permit. Effluent limits were established in accordance with 10 CSR 20-7.015(4) for discharges to Losing Streams.

- **Table C:** Operating permit retains 15 mg/L as a Weekly Average and 10 mg/L as a Monthly Average from the previous permit. Effluent limits were established in accordance with the department's Alternatives Analysis, <https://dnr.mo.gov/document-search/water-quality-antidegradation-review-departments-alternatives-analysis-domestic-wastewater-facilities-design-flow-less-50000-gallons-day>.

**Total Suspended Solids (TSS)**

- **Table A:** Operating permit retains 45 mg/L as a Weekly Average and 30 mg/L as a Monthly Average from the previous permit. Effluent limits were established in accordance with 10 CSR 20-7.015(2) for discharges to the Missouri or Mississippi Rivers and 10 CSR 20-7.015(8) for discharges to All Other Waters.
- **Table B:** Operating permit retains 20 mg/L as a Weekly Average and 15 mg/L as a Monthly Average from the previous permit. Effluent limits were established in accordance with 10 CSR 20-7.015(4) for discharges to Losing Streams.
- **Table C:** Operating permit retains 15 mg/L as a Weekly Average and 10 mg/L as a Monthly Average from the previous permit. Effluent limits were established in accordance with the department's Alternatives Analysis, <https://dnr.mo.gov/document-search/water-quality-antidegradation-review-departments-alternatives-analysis-domestic-wastewater-facilities-design-flow-less-50000-gallons-day>.

**Ammonia, Total as Nitrogen**

- **Tables A and B:** Early Life Stages Present Total Ammonia Nitrogen criteria apply [10 CSR 20-7.031(5)(B)7.C. & Table B3]. Salmonids absent based on WWH and CLH designation of receiving stream, permit does not allow for direct discharge to cold water habitats (CLD). Background total ammonia nitrogen = 0.01 mg/L. No mixing considerations allowed; therefore, WLA = appropriate criterion.

The department previously followed the 2007 Ammonia Guidance method for derivation of ammonia limits. However, the EPA's Technical Support Document for Water Quality-based Toxic Controls (TSD) establishes other alternatives to limit derivation. The department has determined that the approach established in Section 5.4.2 of the TSD, which allows for direct application of both the acute and chronic wasteload allocations (WLA) as permit limits for toxic pollutants, is more appropriate limit derivation approach. Using this method for a discharge to a waterbody where mixing is not allowed, the criterion continuous concentration (CCC) and the criterion maximum concentration (CMC) will equal the chronic and acute WLA respectively. The WLAs are then applied as effluent limits, per Section 5.4.2 of the TSD, where the CMC is the Daily Maximum and the CCC is the Monthly Average. The direct application of both acute and chronic criteria as WLA is also applicable for facilities that discharge into receiving waterbodies with mixing considerations. The CCC and CMC will need to be calculated into WLA with mixing considerations using the mass-balance equation:

$$C_e = \frac{(Q_e + Q_s)C - (Q_s \times C_s)}{(Q_e)}$$

Where C = downstream concentration      C<sub>e</sub> = effluent concentration  
 C<sub>s</sub> = upstream concentration              Q<sub>e</sub> = effluent flow  
 Q<sub>s</sub> = upstream flow

In the event that mixing considerations derive an AML less stringent than the MDL, the AML and MDL will be equal and based on the MDL.

Additionally, the department’s current method for derivation of ammonia limits utilizes pH and temperature data by ecoregion. As this general permit covers facilities across the state in all six ecoregions, the most stringent CCC and CMC are utilized to be protective of water quality in all locations.

Ecoregion	Quarter 1		Quarter 2		Quarter 3		Quarter 4	
	CCC	CMC	CCC	CMC	CCC	CMC	CCC	CMC
Central Irregular Plains	2.7	10.1	1.8	12.1	1.3	12.1	3.1	12.1
Interior River Valleys and Hills	3.1	12.1	1.5	10.1	1.0	8.4	2.2	8.4
Mississippi Alluvial Plain	3.9	17.0	2.2	17.0	1.4	14.4	3.4	14.4
Ozark Highlands	3.1	12.1	2.0	12.1	1.5	12.1	2.9	12.1
Western Corn Belt Plains	2.4	8.4	1.4	8.4	0.9	6.9	2.4	8.4
Mississippi Valley Loess Plains	3.1	12.1	1.8	12.1	1.5	12.1	2.8	12.1

Quarter	Temp (°C)*	pH (SU)*	Total Ammonia Nitrogen CCC (mg/L)	Total Ammonia Nitrogen CMC (mg/L)
1 <sup>st</sup>	6.6	8.0	2.4	8.4
2 <sup>nd</sup>	22.5	8.0	1.4	8.4
3 <sup>rd</sup>	27.7	8.1	0.9	6.9
4 <sup>th</sup>	15.9	8.0	2.2	8.4

\* Ecoregion Data (Western Corn Belt Plains for Quarters 1, 2 &3, Interior River Valleys and Hills for Quarter 4)

1<sup>st</sup> Quarter

Chronic WLA:

$$C_e = ((0.08 + 0.0)2.4 - (0.0 * 0.01))/0.08 = 2.4 \text{ mg/L}$$

Acute WLA:

$$C_e = ((0.08 + 0.0)8.4 - (0.0 * 0.01))/0.08 = 8.4 \text{ mg/L}$$

Chronic WLA = AML = 2.4 mg/L

Acute WLA = MDL = 8.4 mg/L

3<sup>rd</sup> Quarter

Chronic WLA:

$$C_e = ((0.08 + 0.0)0.9 - (0.0 * 0.01))/0.08 = 0.9 \text{ mg/L}$$

Acute WLA:

$$C_e = ((0.08 + 0.0)6.9 - (0.0 * 0.01))/0.08 = 6.9 \text{ mg/L}$$

Chronic WLA = AML = 0.9 mg/L

Acute WLA = MDL = 6.9 mg/L

2<sup>nd</sup> Quarter

Chronic WLA:

$$C_e = ((0.08 + 0.0)1.4 - (0.0 * 0.01))/0.08 = 1.4 \text{ mg/L}$$

Acute WLA:

$$C_e = ((0.08 + 0.0)8.4 - (0.0 * 0.01))/0.08 = 8.4 \text{ mg/L}$$

Chronic WLA = AML = 1.4 mg/L

Acute WLA = MDL = 8.4 mg/L

4<sup>th</sup> Quarter

Chronic WLA:

$$C_e = ((0.08 + 0.0)2.2 - (0.0 * 0.01))/0.08 = 2.2 \text{ mg/L}$$

Acute WLA:

$$C_e = ((0.08 + 0.0)8.4 - (0.0 * 0.01))/0.08 = 8.4 \text{ mg/L}$$

Chronic WLA = AML = 2.2 mg/L

Acute WLA = MDL = 8.4 mg/L

- **Table C:** Operating permit retains 1.7 mg/L as a Daily Maximum and 0.6 mg/L as a Monthly Average for the months of April through September and 5.6 mg/L as a Daily Maximum and 2.1 mg/L as a Monthly Average for the months of October through March, from the previous permit. Effluent limits were established in accordance with the department’s Alternatives Analysis, <https://dnr.mo.gov/document-search/water-quality-antidegradation-review-departments-alternatives-analysis-domestic-wastewater-facilities-design-flow-less-50000-gallons-day>.

Per the Alternatives Analysis, page 15, the department has determined that the alternatives analysis-based technology limits of 0.6 mg/L monthly average and 1.7 mg/L daily maximum in summer, and 2.1 mg/L monthly average and 5.6 mg/L daily maximum in winter are achievable by some treatment technologies. Because these limits are more protective than the water quality-based limits calculated below for a stream with no mixing, the technology-based limits were used.

Water Quality-Based Effluent Limits (WQBEL):

Early Life Stages Present Total Ammonia Nitrogen criteria apply [10 CSR 20-7.031(5)(B)7.C. & Table B1 and Table B3].

Background total ammonia nitrogen = 0.01 mg/L

Season	Temp	pH (SU)	Total Ammonia Nitrogen CCC (mg/L)	Total Ammonia Nitrogen CMC (mg/L)
Summer	26	7.8	1.5	12.1
Winter	6	7.8	3.1	12.1

Summer: April 1 – September 30

Chronic WLA:  $C_e = ((Q_e + 0.0)1.5 - (0.0 * 0.01))/Q_e = 1.5 \text{ mg/L}$

Acute WLA:  $C_e = ((Q_e + 0.0)12.1 - (0.0 * 0.01))/Q_e = 12.1 \text{ mg/L}$

$LTA_c = 1.5 \text{ mg/L (0.780)} = 1.17 \text{ mg/L [CV = 0.6, 99th Percentile, 30 day avg.]}$

$LTA_a = 12.1 \text{ mg/L (0.321)} = 3.89 \text{ mg/L [CV = 0.6, 99th Percentile]}$

MDL = 1.17 mg/L (3.11) = 3.6 mg/L [CV = 0.6, 99th Percentile]

AML = 1.17 mg/L (1.19) = 1.4 mg/L [CV = 0.6, 95th Percentile, n = 30]

Winter: October 1 – March 31

Chronic WLA:  $C_e = ((Q_e + 0.0)3.1 - (0.0 * 0.01))/Q_e = 3.1 \text{ mg/L}$

Acute WLA:  $C_e = ((Q_e + 0.0)12.1 - (0.0025 * 0.01))/Q_e = 12.1 \text{ mg/L}$

$LTA_c = 3.1 \text{ mg/L (0.780)} = 2.42 \text{ mg/L [CV = 0.6, 99th Percentile, 30 day avg.]}$

$LTA_a = 12.1 \text{ mg/L (0.321)} = 3.89 \text{ mg/L [CV = 0.6, 99th Percentile]}$

MDL = 2.42 mg/L (3.11) = 7.5 mg/L [CV = 0.6, 99th Percentile]

AML = 2.42 mg/L (1.19) = 2.9 mg/L [CV = 0.6, 95th Percentile, n = 30]

**Chlorine, Total Residual (TRC).** Applicable to facilities which utilize chlorination chemicals in order to reduce the amount pathogens in the effluent. Warm-water Protection of Aquatic Life CCC = 11 µg/L, CMC = 19 µg/L [10 CSR 20-7.031, Table A]. Background TRC = 0.0 µg/L. Standard compliance language for TRC, including the minimum level (ML), is described in the permit, see Note 3 on page 9 of permit.

Chronic WLA:  $C_e = ((0.08 + 0.0)11 - (0.0 * 0.0))/0.08 = 11 \text{ µg/L}$

Acute WLA:  $C_e = ((0.08 + 0.0)19 - (0.0 * 0.0))/0.08 = 19 \text{ µg/L}$

$LTA_c = 11 (0.527) = 5.8 \text{ µg/L [CV = 0.6, 99th Percentile]}$

$LTA_a = 19 (0.321) = 6.1 \text{ µg/L [CV = 0.6, 99th Percentile]}$

Use most protective number of  $LTA_c$  or  $LTA_a$ .

MDL = 5.8 (3.11) = **18 µg/L [CV = 0.6, 99th Percentile]**

AML = 5.8 (1.55) = **9 µg/L [CV = 0.6, 95th Percentile, n = 4]**

**Escherichia coli (E. coli)**

- **WBC-A:** Whole body contact “A” as defined in 10 CSR 20-7.031(1)(F)2.A.(I).
  - Monthly average for all facilities of 126 colony forming units per 100 mL as a geometric mean [10 CSR 20-7.015(9)(B)1.D]. Weekly Average for POTWs or Daily Maximum for privately owned facilities of 630 per 100 mL as a geometric mean [10 CSR 20-7.015(9)(B)1.E]. Effluent limitations applicable during the recreational season (April 1 – October 31) per 10 CSR 20-7.031(5)(C) for discharges within two miles upstream of segments or lakes with Whole Body Contact Recreation (A) designated use of the receiving stream, as per 10 CSR 20-7.015(9)(B)1.C. An effluent limit for both monthly average and weekly average (POTWs) or daily maximum (privately owned) is required by 40 CFR 122.45(d). The geometric mean is calculated by multiplying all of the data points and then taking the nth root of this product, where n = # of samples collected. For example: Five *E. coli* samples were collected with results of 1, 4, 6, 10, and 5 (#/100mL). Geometric Mean = 5<sup>th</sup> root of (1)(4)(6)(10)(5) = 5<sup>th</sup> root of 1,200 = 4.1 #/100mL.
- **WBC-B:** Whole body contact “B” (WBC-B) as defined in 10 CSR 20-7.031(1)(F)2.A.(II).
  - Monthly average for all facilities of 206 colony forming units per 100 mL as a geometric mean [10 CSR 20-7.015(9)(B)1.D]. Weekly Average for POTWs or Daily Maximum for privately owned facilities of 1,030 per 100 mL as a geometric mean [10 CSR 20-7.015(9)(B)1.E]. Effluent limitations applicable during the recreational season (April 1 – October 31) per 10 CSR 20-7.031(5)(C) for discharges within two miles upstream of segments or lakes with Whole

Body Contact Recreation (B) designated use of the receiving stream, as per 10 CSR 20-7.015(9)(B)1.C. An effluent limit for both monthly average and weekly average (POTWs) or daily maximum (privately owned) is required by 40 CFR 122.45(d). The geometric mean is calculated by multiplying all of the data points and then taking the nth root of this product, where  $n = \#$  of samples collected. For example: Five *E. coli* samples were collected with results of 1, 4, 6, 10, and 5 (#/100mL). Geometric Mean = 5<sup>th</sup> root of (1)(4)(6)(10)(5) = 5<sup>th</sup> root of 1,200 = 4.1 #/100mL.

- **Losinig:** Discharges to losing streams [10 CSR 20-7.031(1)(O)] shall not exceed 126 colony forming units per 100 mL as a Daily Maximum at any time, as per 10 CSR 20-7.031(5)(C). No more than 10% of samples over the course of the calendar year shall exceed 126 colony forming units per 100 mL daily maximum as per 10 CSR 20-7.015(9)(B)1.G. Monitoring only for a monthly average.

**pH.** 6.5 to 9.0 SU – instantaneous grab sample. pH limitations of 6.0-9.0 SU [10 CSR 20-7.015] are not protective of the in-stream Water Quality Standard, which states that water contaminants shall not cause pH to be outside the range of 6.5-9.0 SU. Water quality limits [10 CSR 20-7.031(5)(E)] are applicable to all outfalls.

**Dissolved Oxygen.** Applicable to facilities which utilize dechlorination chemicals in order to reduce the amount of total residual chlorine that is discharged in the effluent. Monitoring requirement only; monitoring for dissolved oxygen is included to determine whether reasonable potential exists to exceed water quality standards. [10 CSR 20-7.031 Table A1]. Dechlorination chemicals are known to exhibit an oxygen demand on the effluent and if not properly managed the effects on the effluent DO concentrations can be significant. Therefore, reasonable potential to cause or contribute to an excursion of either the general or specific criteria exists. Monitoring only requirements have been included in this permit in order to determine if a future effluent limitation is necessary to protect water quality.

**Biochemical Oxygen Demand (BOD<sub>5</sub>) Percent Removal.** In accordance with 40 CFR Part 133, removal efficiency is a method by which the Federal Regulations define Secondary Treatment and Equivalent to Secondary Treatment, which applies to BOD<sub>5</sub> and TSS for Publicly Owned Treatment Works (POTWs). POTWs covered under this permit are required to meet 85% removal efficiency for BOD<sub>5</sub>.

**Total Suspended Solids (TSS) Percent Removal.** In accordance with 40 CFR Part 133, removal efficiency is a method by which the Federal Regulations define Secondary Treatment and Equivalent to Secondary Treatment, which applies to BOD<sub>5</sub> and TSS for Publicly Owned Treatment Works (POTWs). POTWs covered under this permit are required to meet 85% removal efficiency for TSS.

#### **Phosphorous, Total P (TP)**

- **Limit:** 0.5 mg/L Monthly Average. Discharges to Lake Taneycomo and its tributaries between Table Rock Dam and Power Site Dam [10 CSR 20-7.015(3)(E)] and Table Rock watershed [10 CSR 20-7.015(3)(F)] shall meet a Total Phosphorus of 0.5 mg/L unless the facility meets all exemption requirements. If exemption from limits is applicable, monitoring applies.

Facilities permitted under Table C shall meet a Total Phosphorus effluent limit of 0.5 mg/L if the facility discharges to a lake or watershed of a lake that is a water of the state and has an area of at least ten acres during normal pool conditions. Per 10 CSR 20-7.031(5)(N), Lake Numeric Nutrient Criteria (NNC) for lakes is applicable statewide. NNC is assessed during antidegradation review. Effluent limits were established in accordance with the department's Alternatives Analysis, <https://dnr.mo.gov/document-search/water-quality-antidegradation-review-departments-alternatives-analysis-domestic-wastewater-facilities-design-flow-less-50000-gallons-day>.

- **Monitoring Only:** Discharges within the Lake Taneycomo, Table Rock Lake, and White River watersheds shall conduct monitoring of Total Phosphorus as described below.

Discharges to Lake Taneycomo and its tributaries between Table Rock Dam and Power Site Dam [10 CSR 20-7.015(3)(E)] meeting both of the following requirements are exempt from Total Phosphorus limits but shall still conduct monitoring.

1. Those permitted prior to May 9, 1994; and
2. Those with design flows of less than 22,500 gpd

Discharges to the Table Rock Lake watershed [10 CSR 20-7.015(3)(F)] meeting both of the following requirements are exempt from Total Phosphorus limits but shall still conduct monitoring.

1. Those permitted prior to November 30, 1999; and
2. Those with design flows less than 22,500 gpd.

Discharges within the White River basin outside of the areas identified in 10 CSR 20-7.015(3)(E) and (F) shall conduct monitoring for Total Phosphorus per 10 CSR 20-7.015(3)(G).

**Aluminum, Total Recoverable.** Applicable to facilities utilizing chemical addition to facilitate phosphorus removal. Protection of Aquatic Life Acute Criteria = 750µg/L.

Acute WLA:	$C_e = ((0.08 + 0.0) * 750 - (0.0 * 0.0)) \div 0.08 = 750 \mu\text{g/L}$	
LTA <sub>a</sub> :	750 (0.321) = 240.8 µg/L	[CV = 0.6, 99 <sup>th</sup> Percentile]
MDL:	240.8 (3.11) = 750 µg/L	[CV = 0.6, 99 <sup>th</sup> Percentile]
AML:	240.8 (1.55) = 373.8 µg/L	[CV = 0.6, 95 <sup>th</sup> Percentile, n = 4]

**Iron, Total Recoverable.** Applicable to facilities utilizing chemical addition to facilitate phosphorus removal. Protection of Aquatic Life Chronic Criteria = 1,000 µg/L.

Chronic WLA:	$C_e = ((0.08 + 0.0) * 1,000 - (0.0 * 0.0)) \div 0.08 = 1,000 \mu\text{g/L}$	
LTA <sub>c</sub> :	1,000 (0.527) = 527.4 µg/L	[CV = 0.6, 99 <sup>th</sup> Percentile]
MDL:	527.4 (3.11) = 1,642.7 µg/L	[CV = 0.6, 99 <sup>th</sup> Percentile]
AML:	527.4 (1.55) = 818.8 µg/L	[CV = 0.6, 95 <sup>th</sup> Percentile, n = 4]

**OTHER:**

- **Influent Monitoring of Biochemical Oxygen Demand (BOD<sub>5</sub>) & Total Suspended Solids (TSS).** Applicable to POTWs only. An influent sample is required to determine the removal efficiency. In accordance with 40 CFR Part 133, removal efficiency is a method by which the Federal Regulations define Secondary Treatment and Equivalent to Secondary Treatment, which applies to BOD<sub>5</sub> and TSS for Publicly Owned Treatment Works (POTWs)/municipals.

**Part V– Sampling and Reporting Requirements**

**SAMPLING FREQUENCY:**

For pollutants expressed in a daily maximum or weekly average based on facility ownership (private or POTW) and as a monthly average, only quarterly monitoring is required for these pollutants. Results from one quarterly sample may be submitted as both the daily maximum and the monthly average result. If the facility collects multiple samples during any month, the permit requires the facility to submit a monthly average.

**SAMPLING TYPE JUSTIFICATION:**

Sampling type was continued from the previous permit. The sampling types are representative of the discharges and are protective of water quality. Discharges with altering effluent should have composite sampling; discharges with uniform effluent can have grab samples. Parameters which must have grab sampling are: pH, *E. coli*, total residual chlorine, and dissolved oxygen.

**SUFFICIENTLY SENSITIVE ANALYTICAL METHODS:**

Please review Standard Conditions Part 1, Section A.4. The analytical and sampling methods used shall conform to the reference methods listed in 10 CSR 20-7.015 and/or 40 CFR 136 unless alternates are approved by the department and incorporated within this permit. The facility shall use sufficiently sensitive analytical methods for detecting, identifying, and measuring the concentrations of pollutants. The facility shall ensure the selected methods are able to quantify the presence of pollutants in a given discharge at concentrations low enough to determine compliance with Water Quality Standards in 10 CSR 20-7.031 or effluent limitations unless provisions in the permit allow for other alternatives. A method is “sufficiently sensitive” when; 1) the method quantifies the pollutant below the level of the applicable water quality criterion 2) the method minimum level is above the applicable water quality criterion, but the amount of pollutant in a facility’s discharge is high enough the method detects and quantifies the level of pollutant in the discharge; or 3) the method has the lowest minimum level of the analytical methods approved under 10 CSR 20-7.015 and/or 40 CFR 136. These methods are also required for parameters listed as monitoring only, as the data collected may be used to determine if numeric limitations need to be established. A permittee is responsible for working with their contractors to ensure the analysis performed is sufficiently sensitive.



## **Part VI – Administrative Requirements**

On the basis of preliminary staff review and applicable standards and regulations, the department, as administrative agent for the Missouri Clean Water Commission, proposes to issue a permit(s) subject to certain effluent limitations, schedules, and special conditions contained herein and within the permit. The proposed determinations are tentative pending public comment.

### **PUBLIC MEETING:**

A public meeting is not required for general permits with fewer than 50 General Permit Covered Facilities (GPCFs). MO-GDS0000 covers over 500 GPCFs. The public meeting was held on November 2, 2023.

### **PUBLIC NOTICE:**

The department shall give public notice when a draft permit has been prepared and its issuance is pending. Additionally, public notice will be issued if a public hearing is to be held because of a significant degree of interest or because of water quality concerns related to a draft permit. No public notice is required when a request for a permit modification or termination is denied; however, the requester and facility must be notified of the denial in writing.

The department must give public notice of a pending permit or of a new or reissued Missouri State Operating Permit. The public comment period is a length of time not less than thirty (30) days following the date of the public notice, during which interested persons may submit written comments about the proposed permit.

For persons wanting to submit comments regarding this proposed permit, please refer to the Public Notice page located at the front of this draft permit. The Public Notice page gives direction on how and where to submit appropriate comments.

- ✓ The Public Notice period for this permit was March 22, 2024, through April 22, 2024. No response was received.

**DATE OF FACT SHEET:** JANUARY 29, 2024

### **COMPLETED BY:**

**ASHLEY KNEEMUELLER**  
**ENVIRONMENTAL PROGRAM ANALYST**  
**MISSOURI DEPARTMENT OF NATURAL RESOURCES**  
**WATER PROTECTION PROGRAM**  
**OPERATING PERMITS SECTION – DOMESTIC WASTEWATER UNIT**  
**(573) 526-1503**  
[dnr.generalpermits@dnr.mo.gov](mailto:dnr.generalpermits@dnr.mo.gov)

## Appendices

### APPENDIX – Non-Detect Example Calculations:

**Example:** Permittee has four samples for Pollutant X which has a method minimum level of 5 mg/L and is to report a Daily Maximum and Monthly Average.

Week 1 = 11.4 mg/L  
Week 2 = Non-Detect or <5.0 mg/L  
Week 3 = 7.1 mg/L  
Week 4 = Non-Detect or <5.0 mg/L

For this example, use subpart (h) - For reporting an average based on a mix of detected and non-detected values (not including *E. coli*), assign a value of “0” for all non-detects for that reporting period and report the average of all the results.

$$11.4 + 0 + 7.1 + 0 = 18.5 \div 4 \text{ (number of samples)} = 4.63 \text{ mg/L.}$$

The Permittee reports a Monthly Average of 4.63 mg/L and a Daily maximum of 11.4 mg/L (Note the < symbol was dropped in the answers).

**Example:** Permittee has five samples for Pollutant Y that has a method minimum level of 9 µg/L and is to report a Daily Maximum and Monthly Average.

Day 1 = Non-Detect or <9.0 µg/L  
Day 2 = Non-Detect or <9.0 µg/L  
Day 3 = Non-Detect or <9.0 µg/L  
Day 4 = Non-Detect or <9.0 µg/L  
Day 5 = Non-Detect or <9.0 µg/L

For this example, use subpart (g) - For reporting an average based on all non-detected values, remove the “<” sign from the values, average the values, and then add the “<” symbol back to the resulting average.

$$(9 + 9 + 9 + 9 + 9) \div 5 \text{ (number of samples)} = <9 \text{ µg/L.}$$

The Permittee reports a Monthly Average of <9.0 µg/L (retain the ‘less than’ symbol) and a Daily Maximum of <9.0 µg/L.

**Example:** Permittee has four samples for Pollutant Z where the first two tests were conducted using a method with a method minimum level of 4 µg/L and the remaining two tests were conducted using a different method that has a method minimum level of <6 µg/L and is to report a Monthly Average and a Weekly Average.

Week 1 = Non-Detect or <4.0 µg/L  
Week 2 = Non-Detect or <4.0 µg/L  
Week 3 = Non-Detect or <6.0 µg/L  
Week 4 = Non-Detect or <6.0 µg/L

For this example, use subpart (g) - For reporting an average based on all non-detected values, remove the “<” sign from the values, average the values, and then add the “<” symbol back to the resulting average.

$$(4 + 4 + 6 + 6) \div 4 \text{ (number of samples)} = <5 \text{ µg/L. (Monthly)}$$

The facility reports a Monthly Average of <5.0 µg/L and a Weekly Average of <6.0 µg/L.

#### APPENDIX – Non-Detect Example Calculations (Continued):

**Example:** Permittee has five samples for Pollutant Z where the first two tests were conducted using a method with a method minimum level of 4 µg/L and the remaining three tests were conducted using a different method that has a method minimum level of <6 µg/L and is to report a Monthly Average and a Weekly Average.

Week 1 = Non-Detect or <4.0 µg/L

Week 2 = Non-Detect or <4.0 µg/L

Week 2 = Non-Detect or <6.0 µg/L

Week 3 = Non-Detect or <6.0 µg/L

Week 4 = Non-Detect or <6.0 µg/L

For this example, use subpart (g) - For reporting an average based on all non-detected values, remove the “<” sign from the values, average the values, and then add the “<” symbol back to the resulting average.

$(4 + 4 + 6 + 6 + 6) \div 5$  (number of samples) = <5.2 µg/L. (Monthly)

$(4 + 6) \div 2$  (number of samples) = <5 µg/L. (Week 2)

The facility reports a Monthly Average of <5.2 µg/L and a Weekly Average of <6.0 µg/L (report highest Weekly Average value)

**Example:** Permittee has four samples for Pollutant Z where the tests were conducted using a method with a method minimum level of 10 µg/L and is to report a Monthly Average and Daily Maximum. The permit lists that Pollutant Z has a department determined Minimum Quantification Level (ML) of 130 µg/L.

Week 1 = 12 µg/L

Week 2 = 52 µg/L

Week 3 = Non-Detect or <10 µg/L

Week 4 = 133 µg/L

For this example, use subpart (h) - For reporting an average based on a mix of detected and non-detected values (not including *E. coli*), assign a value of “0” for all non-detects for that reporting period and report the average of all the results.

For this example,  $(12 + 52 + 0 + 133) \div 4$  (number of samples) =  $197 \div 4 = 49.3$  µg/L.

The facility reports a Monthly Average of 49.3 µg/L and a Daily Maximum of 133 µg/L.

**Example:** Permittee has five samples for *E. coli* which has a method minimum level of 1 #/100mL and is to report a Weekly Average (seven (7) day geometric mean) and a Monthly Average (thirty (30) day geometric mean).

Week 1 = 102 #/100mL

Week 2 (Monday) = 400 #/100mL

Week 2 (Friday) = Non-Detect or <1 #/100mL

Week 3 = 15 #/100mL

Week 4 = Non-Detect or <1 #/100mL

For this example, use subpart (i) - When *E. coli* is not detected above the method minimum level, the permittee must report the data qualifier signifying less than detection limit for that parameter (e.g., <1 #/100mL, if the method minimum level is 1 #/100mL). For reporting a geometric mean based on a mix of detected and non-detected values, use one-half of the detection limit (instead of zero) for non-detects when calculating geometric means. The Geometric Mean is calculated by multiplying all of the data points and then taking the nth root of this product, where n = # of samples collected.

The Monthly Average (30 day Geometric Mean) = 5th root of  $(102)(400)(0.5)(15)(0.5) = 5$ th root of 153,000 = 10.9 #/100mL.

The 7 day Geometric Mean = 2nd root of  $(400)(0.5) = 2$ nd root of 200 = 14.1 #/100mL. (Week 2)

The Permittee reports a Monthly Average (30 day Geometric Mean) of 10.9 #/100mL and a Weekly Average (7 day geometric mean) of 102 #/100mL (report highest Weekly Average value)



STANDARD CONDITIONS FOR NPDES PERMITS  
ISSUED BY  
THE MISSOURI DEPARTMENT OF NATURAL RESOURCES  
MISSOURI CLEAN WATER COMMISSION  
REVISED  
AUGUST 1, 2014

These Standard Conditions incorporate permit conditions as required by 40 CFR 122.41 or other applicable state statutes or regulations. These minimum conditions apply unless superseded by requirements specified in the permit.

## Part I – General Conditions

### Section A – Sampling, Monitoring, and Recording

1. **Sampling Requirements.**
  - a. Samples and measurements taken for the purpose of monitoring shall be representative of the monitored activity.
  - b. All samples shall be taken at the outfall(s) or Missouri Department of Natural Resources (Department) approved sampling location(s), and unless specified, before the effluent joins or is diluted by any other body of water or substance.
2. **Monitoring Requirements.**
  - a. Records of monitoring information shall include:
    - i. The date, exact place, and time of sampling or measurements;
    - ii. The individual(s) who performed the sampling or measurements;
    - iii. The date(s) analyses were performed;
    - iv. The individual(s) who performed the analyses;
    - v. The analytical techniques or methods used; and
    - vi. The results of such analyses.
  - b. If the permittee monitors any pollutant more frequently than required by the permit at the location specified in the permit using test procedures approved under 40 CFR Part 136, or another method required for an industry-specific waste stream under 40 CFR subchapters N or O, the results of such monitoring shall be included in the calculation and reported to the Department with the discharge monitoring report data (DMR) submitted to the Department pursuant to Section B, paragraph 7.
3. **Sample and Monitoring Calculations.** Calculations for all sample and monitoring results which require averaging of measurements shall utilize an arithmetic mean unless otherwise specified in the permit.
4. **Test Procedures.** The analytical and sampling methods used shall conform to the reference methods listed in 10 CSR 20-7.015 unless alternates are approved by the Department. The facility shall use sufficiently sensitive analytical methods for detecting, identifying, and measuring the concentrations of pollutants. The facility shall ensure that the selected methods are able to quantify the presence of pollutants in a given discharge at concentrations that are low enough to determine compliance with Water Quality Standards in 10 CSR 20-7.031 or effluent limitations unless provisions in the permit allow for other alternatives. A method is “sufficiently sensitive” when; 1) the method minimum level is at or below the level of the applicable water quality criterion for the pollutant or, 2) the method minimum level is above the applicable water quality criterion, but the amount of pollutant in a facility’s discharge is high enough that the method detects and quantifies the level of pollutant in the discharge, or 3) the method has the lowest minimum level of the analytical methods approved under 10 CSR 20-7.015. These methods are also required for parameters that are listed as monitoring only, as the data collected may be used to determine if limitations need to be established. A permittee is responsible for working with their contractors to ensure that the analysis performed is sufficiently sensitive.
5. **Record Retention.** Except for records of monitoring information required by the permit related to the permittee's sewage sludge use and disposal activities, which shall be retained for a period of at least five (5) years (or longer as required by 40 CFR part 503), the permittee shall retain records of all monitoring information, including all calibration and maintenance records and all original strip chart recordings for continuous monitoring instrumentation, copies of all reports required by the permit, and records of all data used to complete the application for the permit, for a period of at least three (3) years from the date of the sample, measurement, report or application. This period may be extended by request of the Department at any time.

6. **Illegal Activities.**
  - a. The Federal Clean Water Act provides that any person who falsifies, tampers with, or knowingly renders inaccurate any monitoring device or method required to be maintained under the permit shall, upon conviction, be punished by a fine of not more than \$10,000, or by imprisonment for not more than two (2) years, or both. If a conviction of a person is for a violation committed after a first conviction of such person under this paragraph, punishment is a fine of not more than \$20,000 per day of violation, or by imprisonment of not more than four (4) years, or both.
  - b. The Missouri Clean Water Law provides that any person or who falsifies, tampers with, or knowingly renders inaccurate any monitoring device or method required to be maintained pursuant to sections 644.006 to 644.141 shall, upon conviction, be punished by a fine of not more than \$10,000, or by imprisonment for not more than six (6) months, or by both. Second and successive convictions for violation under this paragraph by any person shall be punished by a fine of not more than \$50,000 per day of violation, or by imprisonment for not more than two (2) years, or both.

### Section B – Reporting Requirements

1. **Planned Changes.**
  - a. The permittee shall give notice to the Department as soon as possible of any planned physical alterations or additions to the permitted facility when:
    - i. The alteration or addition to a permitted facility may meet one of the criteria for determining whether a facility is a new source in 40 CFR 122.29(b); or
    - ii. The alteration or addition could significantly change the nature or increase the quantity of pollutants discharged. This notification applies to pollutants which are subject neither to effluent limitations in the permit, nor to notification requirements under 40 CFR 122.42(a)(1);
    - iii. The alteration or addition results in a significant change in the permittee's sludge use or disposal practices, and such alteration, addition, or change may justify the application of permit conditions that are different from or absent in the existing permit, including notification of additional use or disposal sites not reported during the permit application process or not reported pursuant to an approved land application plan;
    - iv. Any facility expansions, production increases, or process modifications which will result in a new or substantially different discharge or sludge characteristics must be reported to the Department 60 days before the facility or process modification begins. Notification may be accomplished by application for a new permit. If the discharge does not violate effluent limitations specified in the permit, the facility is to submit a notice to the Department of the changed discharge at least 30 days before such changes. The Department may require a construction permit and/or permit modification as a result of the proposed changes at the facility.
2. **Non-compliance Reporting.**
  - a. The permittee shall report any noncompliance which may endanger health or the environment. Relevant information shall be provided orally or via the current electronic method approved by the Department, within 24 hours from the time the permittee becomes aware of the circumstances, and shall be reported to the appropriate Regional Office during normal business hours or the Environmental Emergency Response hotline at 573-634-2436 outside of normal business hours. A written submission shall also be provided within five (5) business days of the time the permittee becomes aware of the circumstances. The written submission shall contain a description of the noncompliance and its cause; the period of noncompliance, including exact dates and times, and if the noncompliance has not been corrected, the anticipated time it is expected to continue; and steps taken or planned to reduce, eliminate, and prevent reoccurrence of the noncompliance.



STANDARD CONDITIONS FOR NPDES PERMITS  
ISSUED BY  
THE MISSOURI DEPARTMENT OF NATURAL RESOURCES  
MISSOURI CLEAN WATER COMMISSION  
REVISED  
AUGUST 1, 2014

- b. The following shall be included as information which must be reported within 24 hours under this paragraph.
    - i. Any unanticipated bypass which exceeds any effluent limitation in the permit.
    - ii. Any upset which exceeds any effluent limitation in the permit.
    - iii. Violation of a maximum daily discharge limitation for any of the pollutants listed by the Department in the permit required to be reported within 24 hours.
  - c. The Department may waive the written report on a case-by-case basis for reports under paragraph 2. b. of this section if the oral report has been received within 24 hours.
3. **Anticipated Noncompliance.** The permittee shall give advance notice to the Department of any planned changes in the permitted facility or activity which may result in noncompliance with permit requirements. The notice shall be submitted to the Department 60 days prior to such changes or activity.
  4. **Compliance Schedules.** Reports of compliance or noncompliance with, or any progress reports on, interim and final requirements contained in any compliance schedule of the permit shall be submitted no later than 14 days following each schedule date. The report shall provide an explanation for the instance of noncompliance and a proposed schedule or anticipated date, for achieving compliance with the compliance schedule requirement.
  5. **Other Noncompliance.** The permittee shall report all instances of noncompliance not reported under paragraphs 2, 3, and 6 of this section, at the time monitoring reports are submitted. The reports shall contain the information listed in paragraph 2. a. of this section.
  6. **Other Information.** Where the permittee becomes aware that it failed to submit any relevant facts in a permit application, or submitted incorrect information in a permit application or in any report to the Department, it shall promptly submit such facts or information.
  7. **Discharge Monitoring Reports.**
    - a. Monitoring results shall be reported at the intervals specified in the permit.
    - b. Monitoring results must be reported to the Department via the current method approved by the Department, unless the permittee has been granted a waiver from using the method. If the permittee has been granted a waiver, the permittee must use forms provided by the Department.
    - c. Monitoring results shall be reported to the Department no later than the 28<sup>th</sup> day of the month following the end of the reporting period.

## Section C – Bypass/Upset Requirements

1. **Definitions.**
  - a. *Bypass*: the intentional diversion of waste streams from any portion of a treatment facility, except in the case of blending.
  - b. *Severe Property Damage*: substantial physical damage to property, damage to the treatment facilities which causes them to become inoperable, or substantial and permanent loss of natural resources which can reasonably be expected to occur in the absence of a bypass. Severe property damage does not mean economic loss caused by delays in production.
  - c. *Upset*: an exceptional incident in which there is unintentional and temporary noncompliance with technology based permit effluent limitations because of factors beyond the reasonable control of the permittee. An upset does not include noncompliance to the extent caused by operational error, improperly designed treatment facilities, inadequate treatment facilities, lack of preventive maintenance, or careless or improper operation.
2. **Bypass Requirements.**
  - a. Bypass not exceeding limitations. The permittee may allow any bypass to occur which does not cause effluent limitations to be exceeded, but only if it also is for essential maintenance to assure efficient operation. These bypasses are not subject to the provisions of paragraphs 2. b. and 2. c. of this section.

- b. Notice.
    - i. Anticipated bypass. If the permittee knows in advance of the need for a bypass, it shall submit prior notice, if possible at least 10 days before the date of the bypass.
    - ii. Unanticipated bypass. The permittee shall submit notice of an unanticipated bypass as required in Section B – Reporting Requirements, paragraph 5 (24-hour notice).
  - c. Prohibition of bypass.
    - i. Bypass is prohibited, and the Department may take enforcement action against a permittee for bypass, unless:
      1. Bypass was unavoidable to prevent loss of life, personal injury, or severe property damage;
      2. There were no feasible alternatives to the bypass, such as the use of auxiliary treatment facilities, retention of untreated wastes, or maintenance during normal periods of equipment downtime. This condition is not satisfied if adequate back-up equipment should have been installed in the exercise of reasonable engineering judgment to prevent a bypass which occurred during normal periods of equipment downtime or preventive maintenance; and
      3. The permittee submitted notices as required under paragraph 2. b. of this section.
    - ii. The Department may approve an anticipated bypass, after considering its adverse effects, if the Department determines that it will meet the three (3) conditions listed above in paragraph 2. c. i. of this section.
3. **Upset Requirements.**
    - a. Effect of an upset. An upset constitutes an affirmative defense to an action brought for noncompliance with such technology based permit effluent limitations if the requirements of paragraph 3. b. of this section are met. No determination made during administrative review of claims that noncompliance was caused by upset, and before an action for noncompliance, is final administrative action subject to judicial review.
    - b. Conditions necessary for a demonstration of upset. A permittee who wishes to establish the affirmative defense of upset shall demonstrate, through properly signed, contemporaneous operating logs, or other relevant evidence that:
      - i. An upset occurred and that the permittee can identify the cause(s) of the upset;
      - ii. The permitted facility was at the time being properly operated; and
      - iii. The permittee submitted notice of the upset as required in Section B – Reporting Requirements, paragraph 2. b. ii. (24-hour notice).
    - iv. The permittee complied with any remedial measures required under Section D – Administrative Requirements, paragraph 4.
    - c. Burden of proof. In any enforcement proceeding, the permittee seeking to establish the occurrence of an upset has the burden of proof.

## Section D – Administrative Requirements

1. **Duty to Comply.** The permittee must comply with all conditions of this permit. Any permit noncompliance constitutes a violation of the Missouri Clean Water Law and Federal Clean Water Act and is grounds for enforcement action; for permit termination, revocation and reissuance, or modification; or denial of a permit renewal application.
  - a. The permittee shall comply with effluent standards or prohibitions established under section 307(a) of the Federal Clean Water Act for toxic pollutants and with standards for sewage sludge use or disposal established under section 405(d) of the CWA within the time provided in the regulations that establish these standards or prohibitions or standards for sewage sludge use or disposal, even if the permit has not yet been modified to incorporate the requirement.
  - b. The Federal Clean Water Act provides that any person who violates section 301, 302, 306, 307, 308, 318 or 405 of the Act, or any permit condition or limitation implementing any such sections in a permit issued under section 402, or any requirement imposed in a pretreatment program approved under sections 402(a)(3) or 402(b)(8) of the Act, is subject to a civil penalty not to exceed \$25,000 per day for each violation. The Federal Clean Water Act provides that any person who negligently violates sections 301, 302, 306, 307, 308, 318, or 405 of the Act, or any condition or limitation implementing any of such sections in a permit issued under section 402 of the Act, or any requirement



STANDARD CONDITIONS FOR NPDES PERMITS  
ISSUED BY  
THE MISSOURI DEPARTMENT OF NATURAL RESOURCES  
MISSOURI CLEAN WATER COMMISSION  
REVISED  
AUGUST 1, 2014

- imposed in a pretreatment program approved under section 402(a)(3) or 402(b)(8) of the Act, is subject to criminal penalties of \$2,500 to \$25,000 per day of violation, or imprisonment of not more than one (1) year, or both. In the case of a second or subsequent conviction for a negligent violation, a person shall be subject to criminal penalties of not more than \$50,000 per day of violation, or by imprisonment of not more than two (2) years, or both. Any person who knowingly violates such sections, or such conditions or limitations is subject to criminal penalties of \$5,000 to \$50,000 per day of violation, or imprisonment for not more than three (3) years, or both. In the case of a second or subsequent conviction for a knowing violation, a person shall be subject to criminal penalties of not more than \$100,000 per day of violation, or imprisonment of not more than six (6) years, or both. Any person who knowingly violates section 301, 302, 303, 306, 307, 308, 318 or 405 of the Act, or any permit condition or limitation implementing any of such sections in a permit issued under section 402 of the Act, and who knows at that time that he thereby places another person in imminent danger of death or serious bodily injury, shall, upon conviction, be subject to a fine of not more than \$250,000 or imprisonment of not more than 15 years, or both. In the case of a second or subsequent conviction for a knowing endangerment violation, a person shall be subject to a fine of not more than \$500,000 or by imprisonment of not more than 30 years, or both. An organization, as defined in section 309(c)(3)(B)(iii) of the CWA, shall, upon conviction of violating the imminent danger provision, be subject to a fine of not more than \$1,000,000 and can be fined up to \$2,000,000 for second or subsequent convictions.
- c. Any person may be assessed an administrative penalty by the EPA Director for violating section 301, 302, 306, 307, 308, 318 or 405 of this Act, or any permit condition or limitation implementing any of such sections in a permit issued under section 402 of this Act. Administrative penalties for Class I violations are not to exceed \$10,000 per violation, with the maximum amount of any Class I penalty assessed not to exceed \$25,000. Penalties for Class II violations are not to exceed \$10,000 per day for each day during which the violation continues, with the maximum amount of any Class II penalty not to exceed \$125,000.
- d. It is unlawful for any person to cause or permit any discharge of water contaminants from any water contaminant or point source located in Missouri in violation of sections 644.006 to 644.141 of the Missouri Clean Water Law, or any standard, rule or regulation promulgated by the commission. In the event the commission or the director determines that any provision of sections 644.006 to 644.141 of the Missouri Clean Water Law or standard, rules, limitations or regulations promulgated pursuant thereto, or permits issued by, or any final abatement order, other order, or determination made by the commission or the director, or any filing requirement pursuant to sections 644.006 to 644.141 of the Missouri Clean Water Law or any other provision which this state is required to enforce pursuant to any federal water pollution control act, is being, was, or is in imminent danger of being violated, the commission or director may cause to have instituted a civil action in any court of competent jurisdiction for the injunctive relief to prevent any such violation or further violation or for the assessment of a penalty not to exceed \$10,000 per day for each day, or part thereof, the violation occurred and continues to occur, or both, as the court deems proper. Any person who willfully or negligently commits any violation in this paragraph shall, upon conviction, be punished by a fine of not less than \$2,500 nor more than \$25,000 per day of violation, or by imprisonment for not more than one year, or both. Second and successive convictions for violation of the same provision of this paragraph by any person shall be punished by a fine of not more than \$50,000 per day of violation, or by imprisonment for not more than two (2) years, or both.
2. **Duty to Reapply.**
- a. If the permittee wishes to continue an activity regulated by this permit after the expiration date of this permit, the permittee must apply for and obtain a new permit.
- b. A permittee with a currently effective site-specific permit shall submit an application for renewal at least 180 days before the expiration date of the existing permit, unless permission for a later date has been granted by the Department. (The Department shall not grant permission for applications to be submitted later than the expiration date of the existing permit.)
- c. A permittees with currently effective general permit shall submit an application for renewal at least 30 days before the existing permit expires, unless the permittee has been notified by the Department that an earlier application must be made. The Department may grant permission for a later submission date. (The Department shall not grant permission for applications to be submitted later than the expiration date of the existing permit.)
3. **Need to Halt or Reduce Activity Not a Defense.** It shall not be a defense for a permittee in an enforcement action that it would have been necessary to halt or reduce the permitted activity in order to maintain compliance with the conditions of this permit.
4. **Duty to Mitigate.** The permittee shall take all reasonable steps to minimize or prevent any discharge or sludge use or disposal in violation of this permit which has a reasonable likelihood of adversely affecting human health or the environment.
5. **Proper Operation and Maintenance.** The permittee shall at all times properly operate and maintain all facilities and systems of treatment and control (and related appurtenances) which are installed or used by the permittee to achieve compliance with the conditions of this permit. Proper operation and maintenance also includes adequate laboratory controls and appropriate quality assurance procedures. This provision requires the operation of back-up or auxiliary facilities or similar systems which are installed by a permittee only when the operation is necessary to achieve compliance with the conditions of the permit.
6. **Permit Actions.**
- a. Subject to compliance with statutory requirements of the Law and Regulations and applicable Court Order, this permit may be modified, suspended, or revoked in whole or in part during its term for cause including, but not limited to, the following:
- i. Violations of any terms or conditions of this permit or the law;
- ii. Having obtained this permit by misrepresentation or failure to disclose fully any relevant facts;
- iii. A change in any circumstances or conditions that requires either a temporary or permanent reduction or elimination of the authorized discharge; or
- iv. Any reason set forth in the Law or Regulations.
- b. The filing of a request by the permittee for a permit modification, revocation and reissuance, or termination, or a notification of planned changes or anticipated noncompliance does not stay any permit condition.
7. **Permit Transfer.**
- a. Subject to 10 CSR 20-6.010, an operating permit may be transferred upon submission to the Department of an application to transfer signed by the existing owner and the new owner, unless prohibited by the terms of the permit. Until such time the permit is officially transferred, the original permittee remains responsible for complying with the terms and conditions of the existing permit.
- b. The Department may require modification or revocation and reissuance of the permit to change the name of the permittee and incorporate such other requirements as may be necessary under the Missouri Clean Water Law or the Federal Clean Water Act.
- c. The Department, within 30 days of receipt of the application, shall notify the new permittee of its intent to revoke or reissue or transfer the permit.
8. **Toxic Pollutants.** The permittee shall comply with effluent standards or prohibitions established under section 307(a) of the Federal Clean Water Act for toxic pollutants and with standards for sewage sludge use or disposal established under section 405(d) of the Federal Clean Water Act within the time provided in the regulations that establish these standards or prohibitions or standards for sewage sludge use or disposal, even if the permit has not yet been modified to incorporate the requirement.
9. **Property Rights.** This permit does not convey any property rights of any sort, or any exclusive privilege.



STANDARD CONDITIONS FOR NPDES PERMITS  
ISSUED BY  
THE MISSOURI DEPARTMENT OF NATURAL RESOURCES  
MISSOURI CLEAN WATER COMMISSION  
REVISED  
AUGUST 1, 2014

10. **Duty to Provide Information.** The permittee shall furnish to the Department, within a reasonable time, any information which the Department may request to determine whether cause exists for modifying, revoking and reissuing, or terminating this permit or to determine compliance with this permit. The permittee shall also furnish to the Department upon request, copies of records required to be kept by this permit.
11. **Inspection and Entry.** The permittee shall allow the Department, or an authorized representative (including an authorized contractor acting as a representative of the Department), upon presentation of credentials and other documents as may be required by law, to:
  - a. Enter upon the permittee's premises where a regulated facility or activity is located or conducted, or where records must be kept under the conditions of the permit;
  - b. Have access to and copy, at reasonable times, any records that must be kept under the conditions of this permit;
  - c. Inspect at reasonable times any facilities, equipment (including monitoring and control equipment), practices, or operations regulated or required under this permit; and
  - d. Sample or monitor at reasonable times, for the purposes of assuring permit compliance or as otherwise authorized by the Federal Clean Water Act or Missouri Clean Water Law, any substances or parameters at any location.
12. **Closure of Treatment Facilities.**
  - a. Persons who cease operation or plan to cease operation of waste, wastewater, and sludge handling and treatment facilities shall close the facilities in accordance with a closure plan approved by the Department.
  - b. Operating Permits under 10 CSR 20-6.010 or under 10 CSR 20-6.015 are required until all waste, wastewater, and sludges have been disposed of in accordance with the closure plan approved by the Department and any disturbed areas have been properly stabilized. Disturbed areas will be considered stabilized when perennial vegetation, pavement, or structures using permanent materials cover all areas that have been disturbed. Vegetative cover, if used, shall be at least 70% plant density over 100% of the disturbed area.
13. **Signatory Requirement.**
  - a. All permit applications, reports required by the permit, or information requested by the Department shall be signed and certified. (See 40 CFR 122.22 and 10 CSR 20-6.010)
  - b. The Federal Clean Water Act provides that any person who knowingly makes any false statement, representation, or certification in any record or other document submitted or required to be maintained under this permit, including monitoring reports or reports of compliance or non-compliance shall, upon conviction, be punished by a fine of not more than \$10,000 per violation, or by imprisonment for not more than six (6) months per violation, or by both.
  - c. The Missouri Clean Water Law provides that any person who knowingly makes any false statement, representation or certification in any application, record, report, plan, or other document filed or required to be maintained pursuant to sections 644.006 to 644.141 shall, upon conviction, be punished by a fine of not more than ten thousand dollars, or by imprisonment for not more than six months, or by both.
14. **Severability.** The provisions of the permit are severable, and if any provision of the permit, or the application of any provision of the permit to any circumstance, is held invalid, the application of such provision to other circumstances, and the remainder of the permit, shall not be affected thereby.

**STANDARD CONDITIONS FOR NPDES PERMITS  
ISSUED BY  
THE MISSOURI DEPARTMENT OF NATURAL RESOURCES  
MISSOURI CLEAN WATER COMMISSION  
August 1, 2019**

**PART III – BIOSOLIDS AND SLUDGE FROM DOMESTIC TREATMENT FACILITIES**

**SECTION A – GENERAL REQUIREMENTS**

1. PART III Standard Conditions pertain to biosolids and sludge requirements under the Missouri Clean Water Law and regulations for domestic and municipal wastewater and also incorporates federal sludge disposal requirements under 40 CFR Part 503 for domestic wastewater. The Environmental Protection Agency (EPA) has principal authority for permitting and enforcement of the federal sludge regulations under 40 CFR Part 503 for domestic biosolids and sludge.
2. PART III Standard Conditions apply only to biosolids and sludge generated at domestic wastewater treatment facilities, including public owned treatment works (POTW) and privately owned facilities.
3. Biosolids and Sludge Use and Disposal Practices:
  - a. The permittee is authorized to operate the biosolids and sludge generating, treatment, storage, use, and disposal facilities listed in the facility description of this permit.
  - b. The permittee shall not exceed the design sludge/biosolids volume listed in the facility description and shall not use biosolids or sludge disposal methods that are not listed in the facility description, without prior approval of the permitting authority.
  - c. For facilities operating under general operating permits that incorporate Standard Conditions PART III, the facility is authorized to operate the biosolids and sludge generating, treatment, storage, use and disposal facilities identified in the original operating permit application, subsequent renewal applications or subsequent written approval by the department.
4. Biosolids or Sludge Received from other Facilities:
  - a. Permittees may accept domestic wastewater biosolids or sludge from other facilities as long as the permittee's design sludge capacity is not exceeded and the treatment facility performance is not impaired.
  - b. The permittee shall obtain a signed statement from the biosolids or sludge generator or hauler that certifies the type and source of the sludge
5. Nothing in this permit precludes the initiation of legal action under local laws, except to the extent local laws are preempted by state law.
6. This permit does not preclude the enforcement of other applicable environmental regulations such as odor emissions under the Missouri Air Pollution Control Law and regulations.
7. This permit may (after due process) be modified, or alternatively revoked and reissued, to comply with any applicable biosolids or sludge disposal standard or limitation issued or approved under Section 405(d) of the Clean Water Act or under Chapter 644 RSMo.
8. In addition to Standard Conditions PART III, the Department may include biosolids and sludge limitations in the special conditions portion or other sections of a site specific permit.
9. Exceptions to Standard Conditions PART III may be authorized on a case-by-case basis by the Department, as follows:
  - a. The Department may modify a site-specific permit following permit notice provisions as applicable under 10 CSR 20-6.020, 40 CFR § 124.10, and 40 CFR § 501.15(a)(2)(ix)(E).
  - b. Exceptions cannot be granted where prohibited by the federal sludge regulations under 40 CFR Part 503.



## **SECTION B – DEFINITIONS**

1. Best Management Practices are practices to prevent or reduce the pollution of waters of the state and include agronomic loading rates (nitrogen based), soil conservation practices, spill prevention and maintenance procedures and other site restrictions.
2. Biosolids means organic fertilizer or soil amendment produced by the treatment of domestic wastewater sludge.
3. Biosolids land application facility is a facility where biosolids are spread onto the land at agronomic rates for production of food, feed or fiber. The facility includes any structures necessary to store the biosolids until soil, weather, and crop conditions are favorable for land application.
4. Class A biosolids means a material that has met the Class A pathogen reduction requirements or equivalent treatment by a Process to Further Reduce Pathogens (PFRP) in accordance with 40 CFR Part 503.
5. Class B biosolids means a material that has met the Class B pathogen reduction requirements or equivalent treatment by a Process to Significantly Reduce Pathogens (PSRP) in accordance with 40 CFR Part 503.
6. Domestic wastewater means wastewater originating from the sanitary conveniences of residences, commercial buildings, factories and institutions; or co-mingled sanitary and industrial wastewater processed by a (POTW) or a privately owned facility.
7. Feed crops are crops produced primarily for consumption by animals.
8. Fiber crops are crops such as flax and cotton.
9. Food crops are crops consumed by humans which include, but is not limited to, fruits, vegetables and tobacco.
10. Industrial wastewater means any wastewater, also known as process wastewater, not defined as domestic wastewater. Per 40 CFR Part 122.2, process wastewater means any water which, during manufacturing or processing, comes into direct contact with or results from the production or use of any raw material, intermediate product, finished product, byproduct, or waste product. Land application of industrial wastewater, residuals or sludge is not authorized by Standard Conditions PART III.
11. Mechanical treatment plants are wastewater treatment facilities that use mechanical devices to treat wastewater, including, sand filters, extended aeration, activated sludge, contact stabilization, trickling filters, rotating biological contact systems, and other similar facilities. It does not include wastewater treatment lagoons or constructed wetlands for wastewater treatment.
12. Plant Available Nitrogen (PAN) is nitrogen that will be available to plants during the growing seasons after biosolids application.
13. Public contact site is land with a high potential for contact by the public. This includes, but is not limited to, public parks, ball fields, cemeteries, plant nurseries, turf farms, and golf courses.
14. Sludge is the solid, semisolid, or liquid residue removed during the treatment of wastewater. Sludge includes septage removed from septic tanks or equivalent facilities. Sludge does not include carbon coal byproducts (CCBs), sewage sludge incinerator ash, or grit/screenings generated during preliminary treatment of domestic sewage.
15. Sludge lagoon is part of a mechanical wastewater treatment facility. A sludge lagoon is an earthen or concrete lined basin that receives sludge that has been removed from a wastewater treatment facility. It does not include a wastewater treatment lagoon or sludge treatment units that are not a part of a mechanical wastewater treatment facility.
16. Septage is the sludge pumped from residential septic tanks, cesspools, portable toilets, Type III marine sanitation devices, or similar treatment works such as sludge holding structures from residential wastewater treatment facilities with design populations of less than 150 people. Septage does not include grease removed from grease traps at a restaurant or material removed from septic tanks and other similar treatment works that have received industrial wastewater. The standard for biosolids from septage is different from other sludges. See Section H for more information.

## **SECTION C – MECHANICAL WASTEWATER TREATMENT FACILITIES**

1. Biosolids or sludge shall be routinely removed from wastewater treatment facilities and handled according to the permit facility description and the requirements of Standard Conditions PART III or in accordance with Section A.3.c., above.
2. The permittee shall operate storage and treatment facilities, as defined by Section 644.016(23), RSMo, so that there is no biosolids or sludge discharged to waters of the state. Agricultural storm water discharges are exempt under the provisions of Section 644.059, RSMo.
3. Mechanical treatment plants shall have separate biosolids or sludge storage compartments in accordance with 10 CSR 20, Chapter 8. Failure to remove biosolids or sludge from these storage compartments on the required design schedule is a violation of this permit.

## **SECTION D – BIOSOLIDS OR SLUDGE DISPOSED AT OTHER TREATMENT FACILITY OR BY CONTRACT HAULER**

1. Permittees that use contract haulers, under the authority of their operating permit, to dispose of biosolids or sludge, are responsible for compliance with all the terms of this permit. Contract haulers that assume the responsibility of the final disposal of biosolids or sludge, including biosolids land application, must obtain a Missouri State Operating Permit unless the hauler transports the biosolids or sludge to another permitted treatment facility.
2. Testing of biosolids or sludge, other than total solids content, is not required if biosolids or sludge are hauled to a permitted wastewater treatment facility, unless it is required by the accepting facility.

## **SECTION E – INCINERATION OF SLUDGE**

1. Please be aware that sludge incineration facilities may be subject to the requirements of 40 CFR Part 503 Subpart E, Missouri Air Conservation Commission regulations under 10 CSR 10, and solid waste management regulations under 10 CSR 80, as applicable.
2. Permittee may be authorized under the facility description of this permit to store incineration ash in lagoons or ash ponds. This permit does not authorize the disposal of incineration ash. Incineration ash shall be disposed in accordance with 10 CSR 80; or, if the ash is determined to be hazardous, with 10 CSR 25.
3. In addition to normal sludge monitoring, incineration facilities shall report the following as part of the annual report, mass of sludge incinerated and mass of ash generated. Permittee shall also provide the name of the ash disposal facility and permit number if applicable.

## **SECTION F – SURFACE DISPOSAL SITES AND BIOSOLIDS AND SLUDGE LAGOONS**

1. Please be aware that surface disposal sites of biosolids or sludge from wastewater treatment facilities may be subject to other laws including the requirements in 40 CFR Part 503 Subpart C, Missouri Air Conservation Commission regulations under 10 CSR 10, and solid waste management regulations under 10 CSR 80, as applicable.
2. Biosolids or sludge storage lagoons are temporary facilities and are not required to obtain a permit as a solid waste management facility under 10 CSR 80. In order to maintain biosolids or sludge storage lagoons as storage facilities, accumulated biosolids or sludge must be removed routinely, but not less than once every two years unless an alternate schedule is approved in the permit. The amount of biosolids or sludge removed will be dependent on biosolids or sludge generation and accumulation in the facility. Enough biosolids or sludge must be removed to maintain adequate storage capacity in the facility.
  - a. In order to avoid damage to the lagoon seal during cleaning, the permittee may leave a layer of biosolids or sludge on the bottom of the lagoon, upon prior approval of the Department; or
  - b. Permittee shall close the lagoon in accordance with Section I.

## **SECTION G – LAND APPLICATION OF BIOSOLIDS**

1. The permittee shall not land apply biosolids unless land application is authorized in the facility description, the special conditions of the issued NPDES permit, or in accordance with Section A.3.c., above.
2. This permit only authorizes “Class A” or “Class B” biosolids derived from domestic wastewater to be land applied onto grass land, crop land, timber, or other similar agricultural or silviculture lands at rates suitable for beneficial use as organic fertilizer and soil conditioner.
3. Class A Biosolids Requirements: Biosolids shall meet Class A requirements for application to public contact sites, residential lawns, home gardens or sold and/or given away in a bag or other container.
4. Class B biosolids that are land applied to agricultural and public contact sites shall comply with the following restrictions:
  - a. Food crops that touch the biosolids/soil mixture and are totally above the land surface shall not be harvested for 14 months after application of biosolids.
  - b. Food crops below the surface of the land shall not be harvested for 20 months after application of biosolids when the biosolids remain on the land surface for four months or longer prior to incorporation into the soil.
  - c. Food crops below the surface of the land shall not be harvested for 38 months after application of biosolids when the biosolids remain on the land surface for less than four months prior to incorporation into the soil.
  - d. Animal grazing shall not be allowed for 30 days after application of biosolids.
  - e. Food crops, feed crops, and fiber crops shall not be harvested for 30 days after application of biosolids.
  - f. Turf shall not be harvested for one year after application of biosolids if used for lawns or high public contact sites in close proximity to populated areas such as city parks or golf courses.
  - g. After Class B biosolids have been land applied to public contact sites with high potential for public exposure, as defined in 40 CFR § 503.31, such as city parks or golf courses, access must be restricted for 12 months.
  - h. After Class B biosolids have been land applied public contact sites with low potential for public exposure as defined in 40 CFR § 503.31, such as a rural land application or reclamation sites, access must be restricted for 30 days.
5. Pollutant limits
  - a. Biosolids shall be monitored to determine the quality for regulated pollutants listed in Table 1, below. Limits for any pollutants not listed below may be established in the permit.
  - b. The number of samples taken is directly related to the amount of biosolids or sludge produced by the facility (See Section J, below). Samples should be taken only during land application periods. When necessary, it is permissible to mix biosolids with lower concentrations of biosolids as well as other suitable Department approved material to achieve pollutant concentration below those identified in Table 1, below.
  - c. Table 1 gives the ceiling concentration for biosolids. Biosolids which exceed the concentrations in Table 1 may not be land applied.

**TABLE 1**

Biosolids ceiling concentration	
Pollutant	Milligrams per kilogram dry weight
Arsenic	75
Cadmium	85
Copper	4,300
Lead	840
Mercury	57
Molybdenum	75
Nickel	420
Selenium	100
Zinc	7,500

- d. Table 2 below gives the low metal concentration for biosolids. Because of its higher quality, biosolids with pollutant concentrations below those listed in Table 2 can safely be applied to agricultural land, forest, public contact sites, lawns, home gardens or be given away without further analysis. Biosolids containing metals in concentrations above the low metals concentrations but below the ceiling concentration limits may be land applied but shall not exceed the annual loading rates in Table 3 and the cumulative loading rates in Table 4. The permittee is required to track pollutant loading onto application sites for parameters that have exceeded the low metal concentration limits.

**TABLE 2**

Biosolids Low Metal Concentration	
Pollutant	Milligrams per kilogram dry weight
Arsenic	41
Cadmium	39
Copper	1,500
Lead	300
Mercury	17
Nickel	420
Selenium	100
Zinc	2,800

- e. Annual pollutant loading rate.

**Table 3**

Biosolids Annual Loading Rate	
Pollutant	Kg/ha (lbs./ac) per year
Arsenic	2.0 (1.79)
Cadmium	1.9 (1.70)
Copper	75 (66.94)
Lead	15 (13.39)
Mercury	0.85 (0.76)
Nickel	21 (18.74)
Selenium	5.0 (4.46)
Zinc	140 (124.96)

- f. Cumulative pollutant loading rates.

**Table 4**

Biosolids Cumulative Pollutant Loading Rate	
Pollutant	Kg/ha (lbs./ac)
Arsenic	41 (37)
Cadmium	39 (35)
Copper	1500 (1339)
Lead	300 (268)
Mercury	17 (15)
Nickel	420 (375)
Selenium	100 (89)
Zinc	2800 (2499)

6. Best Management Practices. The permittee shall use the following best management practices during land application activities to prevent the discharge of biosolids to waters of the state.
- Biosolids shall not be applied to the land if it is likely to adversely affect a threatened or endangered species listed under § 4 of the Endangered Species Act or its designated critical habitat.
  - Apply biosolids only at the agronomic rate of nitrogen needed (see 5.c. of this section).
  - The applicator must document the Plant Available Nitrogen (PAN) loadings, available nitrogen in the soil, and crop

nitrogen removal when either of the following occurs: 1) When biosolids are greater than 50,000 mg/kgTN; or 2) When biosolids are land applied at an application rate greater than two dry tons per acre per year.

- i. PAN can be determined as follows:  
(Nitrate + nitrite nitrogen) + (organic nitrogen x 0.2) + (ammonia nitrogen x volatilization factor<sup>1</sup>).  
<sup>1</sup> Volatilization factor is 0.7 for surface application and 1 for subsurface application. Alternative volatilization factors and mineralization rates can be utilized on a case-by-case basis.
  - ii. Crop nutrient production/removal to be based on crop specific nitrogen needs and realistic yield goals. **NOTE:** There are a number of reference documents on the Missouri Department of Natural Resources website that are informative to implement best management practices in the proper management of biosolids, including crop specific nitrogen needs, realistic yields on a county by county basis and other supporting references.
  - iii. Biosolids that are applied at agronomic rates shall not cause the annual pollutant loading rates identified in Table 3 to be exceeded.
- d. Buffer zones are as follows:
- i. 300 feet of a water supply well, sinkhole, water supply reservoir or water supply intake in a stream;
  - ii. 300 feet of a losing stream, no discharge stream, stream stretches designated for whole body contact recreation, wild and scenic rivers, Ozark National Scenic Riverways or outstanding state resource waters as listed in the Water Quality Standards, 10 CSR 20-7.031;
  - iii. 150 feet of dwellings or public use areas;
  - iv. 100 feet (35 feet if biosolids application is down-gradient or the buffer zone is entirely vegetated) of lake, pond, wetlands or gaining streams (perennial or intermittent);
  - v. 50 feet of a property line. Buffer distances from property lines may be waived with written permission from neighboring property owner.
  - vi. For the application of dry, cake or liquid biosolids that are subsurface injected, buffer zones identified in 5.d.i. through 5.d.iii above, may be reduced to 100 feet. The buffer zone may be reduced to 35 feet if the buffer zone is permanently vegetated. Subsurface injection does not include methods or technology reflective of combination surface/shallow soil incorporation.
- e. Slope limitation for application sites are as follows:
- i. For slopes less than or equal to 6 percent, no rate limitation;
  - ii. Applied to a slope 7 to 12 percent, the applicator may apply biosolids when soil conservation practices are used to meet the minimum erosion levels;
  - iii. Slopes > 12 percent, apply biosolids only when grass is vegetated and maintained with at least 80 percent ground cover at a rate of two dry tons per acre per year or less.
  - iv. Dry, cake or liquid biosolids that are subsurface injected, may be applied on slopes not to exceed 20 percent. Subsurface injection does not include the use of methods or technology reflective of combination surface/shallow soil incorporation.
- f. No biosolids may be land applied in an area that it is reasonably certain that pollutants will be transported into waters of the state.
- g. Biosolids may be land applied to sites with soil that are snow covered, frozen, or saturated with liquid when site restrictions or other controls are provided to prevent pollutants from being discharged to waters of the state during snowmelt or stormwater runoff. During inclement weather or unfavorable soil conditions use the following management practices:
- i. A maximum field slope of 6% and a minimum 300 feet grass buffer between the application site and waters of the state. A 35 feet grass buffer may be utilized for the application of dry, cake or liquid biosolids that are subsurface injected. Subsurface injection does not include the use of methods or technology reflective of combination surface/shallow soil incorporation;
  - ii. A maximum field slope of 2% and 100 feet grass buffer between the application site and waters of the state. A 35 feet grass buffer may be used for the application of dry, cake or liquid biosolids that are subsurface injected. Subsurface injection does not include the use of methods or technology reflective of combination surface/shallow soil incorporation;
  - iii. Other best management practices approved by the Department.

## SECTION H – SEPTAGE

1. Haulers that land apply septage must obtain a state permit. An operating permit is not required for septage haulers who transport septage to another permitted treatment facility for disposal.
2. Do not apply more than 30,000 gallons of septage per acre per year or the volume otherwise stipulated in the operating permit.
3. Septic tanks are designed to retain sludge for one to three years which will allow for a larger reduction in pathogens and vectors, as compared to mechanical treatment facilities.
4. Septage must comply with Class B biosolids regarding pathogen and vector attraction reduction requirements before it may be applied to crops, pastures or timberland. To meet required pathogen and vector reduction requirements, mix 50 pounds of hydrated lime for every 1,000 gallons of septage and maintain a septage pH of at least 12 pH standard units for 30 minutes or more prior to application.
5. Lime is to be added to the pump truck and not directly to the septic tanks, as lime would harm the beneficial bacteria of the septic tank.
6. As residential septage contains relatively low levels of metals, the testing of metals in septage is not required.

## SECTION I – CLOSURE REQUIREMENTS

1. This section applies to all wastewater facilities (mechanical and lagoons) and sludge or biosolids storage and treatment facilities. It does not apply to land application sites.
2. Permittees of a domestic wastewater facility who plan to cease operation must obtain Department approval of a closure plan which addresses proper removal and disposal of all sludges and/or biosolids. Permittee must maintain this permit until the facility is closed in accordance with the approved closure plan per 10 CSR 20 – 6.010 and 10 CSR 20 – 6.015.
3. Biosolids or sludge that are left in place during closure of a lagoon or earthen structure or ash pond shall not exceed the agricultural loading rates as follows:
  - a. Biosolids and sludge shall meet the monitoring and land application limits for agricultural rates as referenced in Section G, above.
  - b. If a wastewater treatment lagoon has been in operation for 15 years or more without sludge removal, the sludge in the lagoon qualifies as a Class B biosolids with respect to pathogens due to anaerobic digestion, and testing for fecal coliform is not required. For other lagoons, testing for fecal coliform is required to show compliance with Class B biosolids limitations. In order to reach Class B biosolids requirements, fecal coliform must be less than 2,000,000 colony forming units or 2,000,000 most probable number. All fecal samples must be presented as geometric mean per gram.
  - c. The allowable nitrogen loading that may be left in the lagoon shall be based on the plant available nitrogen (PAN) loading. For a grass cover crop, the allowable PAN is 300 pounds/acre. Alternative, site-specific application rates may be included in the closure plan for department consideration.
    - i. PAN can be determined as follows:  
(Nitrate + nitrite nitrogen) + (organic nitrogen x 0.2) + (ammonia nitrogen x volatilization factor<sup>1</sup>).  
<sup>1</sup> Volatilization factor is 0.7 for surface application and 1 for subsurface application. Alternative volatilization factors and mineralization rates can be utilized on a case-by-case basis
4. Domestic wastewater treatment lagoons with a design treatment capacity less than or equal to 150 persons, are “similar treatment works” under the definition of septage. Therefore the sludge within the lagoons may be treated as septage during closure activities. See Section B, above. Under the septage category, residuals may be left in place as follows:
  - a. Testing for metals or fecal coliform is not required.
  - b. If the wastewater treatment lagoon has been in use for less than 15 years, mix lime with the sludge at a rate of 50 pounds of hydrated lime per 1000 gallons (134 cubic feet) of sludge.
  - c. The amount of sludge that may be left in the lagoon shall be based on the plant available nitrogen (PAN) loading. 100 dry tons/acre of sludge may be left in the basin without testing for nitrogen. If 100 dry tons/acre or more will be left in the lagoon, test for nitrogen and determine the PAN using the calculation above. Allowable PAN loading is 300 pounds/acre.
5. Biosolids or sludge left within the domestic lagoon shall be mixed with soil on at least a 1 to 1 ratio, and unless otherwise approved, the lagoon berm shall be demolished, and the site shall be graded and contain  $\geq 70\%$  vegetative density over 100% of the site so as to avoid ponding of storm water and provide adequate surface water drainage without creating erosion. Alternative biosolids or sludge and soil mixing ratios may be included in the closure plan for department consideration.
6. Lagoon and earthen structure closure activities shall obtain a storm water permit for land disturbance activities that equal or exceed one acre in accordance with 10 CSR 20-6.200.
7. When closing a mechanical wastewater plant, all biosolids or sludge must be cleaned out and disposed of in accordance with the Department approved closure plan before the permit for the facility can be terminated.
  - a. Land must be stabilized which includes any grading, alternate use or fate upon approval by the Department, remediation, or other work that exposes sediment to stormwater per 10 CSR 20-6.200. The site shall be graded and contain  $\geq 70\%$  vegetative density over 100% of the site, so as to avoid ponding of storm water and provide adequate

- surface water drainage without creating erosion.
  - b. Hazardous Waste shall not be land applied or disposed during mechanical plant closures unless in accordance with Missouri Hazardous Waste Management Law and Regulations pursuant to 10 CSR 25.
  - c. After demolition of the mechanical plant, the site must only contain clean fill defined in Section 260.200.1(6) RSMo as uncontaminated soil, rock, sand, gravel, concrete, asphaltic concrete, cinderblocks, brick, minimal amounts of wood and metal, and inert solids as approved by rule or policy of the Department for fill, reclamation, or other beneficial use. Other solid wastes must be removed.
8. If biosolids or sludge from the domestic lagoon or mechanical treatment plant exceeds agricultural rates under Section G and/or I, a landfill permit or solid waste disposal permit must be obtained if the permittee chooses to seek authorization for on-site sludge disposal under the Missouri Solid Waste Management Law and regulations per 10 CSR 80, and the permittee must comply with the surface disposal requirements under 40 CFR Part 503, Subpart C.

**SECTION J – MONITORING FREQUENCY**

1. At a minimum, biosolids or sludge shall be tested for volume and percent total solids on a frequency that will accurately represent sludge quantities produced and disposed. Please see the table below.

**TABLE 5**

Biosolids or Sludge produced and disposed (Dry Tons per Year)	Monitoring Frequency (See Notes 1, and 2)		
	Metals, Pathogens and Vectors, Total Phosphorus, Total Potassium	Nitrogen TKN, Nitrogen PAN <sup>1</sup>	Priority Pollutants <sup>2</sup>
319 or less	1/year	1 per month	1/year
320 to 1650	4/year	1 per month	1/year
1651 to 16,500	6/year	1 per month	1/year
16,501+	12/year	1 per month	1/year

<sup>1</sup>Calculate plant available nitrogen (PAN) when either of the following occurs: 1) when biosolids are greater than 50,000 mg/kg TN; or 2) when biosolids are land applied at an application rate greater than two dry tons per acre per year.

<sup>2</sup> Priority pollutants (40 CFR 122.21, Appendix D, Tables II and III) are required only for permit holders that must have a pre-treatment program. Monitoring requirements may be modified and incorporated into the operating permit by the Department on a case-by-case basis.

Note 1: Total solids: A grab sample of sludge shall be tested one per day during land application periods for percent total solids. This data shall be used to calculate the dry tons of sludge applied per acre.

Note 2: Table 5 is not applicable for incineration and permit holders that landfill their sludge.

- 2. Permittees that operate wastewater treatment lagoons, peak flow equalization basins, combined sewer overflow basins or biosolids or sludge lagoons that are cleaned out once a year or less, may choose to sample only when the biosolids or sludge is removed or the lagoon is closed. Test one composite sample for each 319 dry tons of biosolids or sludge removed from the lagoon during the reporting year or during lagoon closure. Composite sample must represent various areas at one-foot depth.
- 3. Additional testing may be required in the special conditions or other sections of the permit.
- 4. Biosolids and sludge monitoring shall be conducted in accordance with federal regulation 40 CFR § 503.8, Sampling and analysis.

**SECTION K – RECORD KEEPING AND REPORTING REQUIREMENTS**

- 1. The permittee shall maintain records on file at the facility for at least five years for the items listed in Standard Conditions PART III and any additional items in the Special Conditions section of this permit. This shall include dates when the biosolids or sludge facility is checked for proper operation, records of maintenance and repairs and other relevant information.
- 2. Reporting period
  - a. By February 19<sup>th</sup> of each year, applicable facilities shall submit an annual report for the previous calendar year period for all mechanical wastewater treatment facilities, sludge lagoons, and biosolids or sludge disposal facilities.
  - b. Permittees with wastewater treatment lagoons shall submit the above annual report only when biosolids or sludge are removed from the lagoon during the report period or when the lagoon is closed.
- 3. Report Form. The annual report shall be prepared on report forms provided by the Department or equivalent forms approved by the Department.
- 4. Reports shall be submitted as follows:  
Major facilities, which are those serving 10,000 persons or more or with a design flow equal to or greater than 1 million gallons per day or that are required to have an approved pretreatment program, shall report to both the Department and EPA if the facility land applied, disposed of biosolids by surface disposal, or operated a sewage sludge incinerator. All other facilities shall maintain their biosolids or sludge records and keep them available to Department personnel upon request. State reports shall be submitted to the address listed as follows:

DNR regional or other applicable office listed in the permit (see cover letter of permit)

ATTN: Sludge Coordinator

Reports to EPA must be electronically submitted online via the Central Data Exchange at: <https://cdx.epa.gov/> Additional information is available at: <https://www.epa.gov/biosolids/compliance-and-annual-reporting-guidance-about-clean-water-act-laws>

5. Annual report contents. The annual report shall include the following:
  - a. Biosolids and sludge testing performed. If testing was conducted at a greater frequency than what is required by the permit, all test results must be included in the report.
  - b. Biosolids or sludge quantity shall be reported as dry tons for the quantity produced and/or disposed.
  - c. Gallons and % solids data used to calculate the dry ton amounts.
  - d. Description of any unusual operating conditions.
  - e. Final disposal method, dates, and location, and person responsible for hauling and disposal.
    - i. This must include the name and address for the hauler and sludge facility. If hauled to a municipal wastewater treatment facility, sanitary landfill, or other approved treatment facility, give the name of that facility.
    - ii. Include a description of the type of hauling equipment used and the capacity in tons, gallons, or cubic feet.
  - f. Contract Hauler Activities:

If using a contract hauler, provide a copy of a signed contract from the contractor. Permittee shall require the contractor to supply information required under this permit for which the contractor is responsible. The permittee shall submit a signed statement from the contractor that he has complied with the standards contained in this permit, unless the contract hauler has a separate biosolids or sludge use permit.
  - g. Land Application Sites:
    - i. Report the location of each application site, the annual and cumulative dry tons/acre for each site, and the landowners name and address. The location for each spreading site shall be given as a legal description for nearest ¼, ¼, Section, Township, Range, and county, or UTM coordinates. The facility shall report PAN when either of the following occurs: 1) When biosolids are greater than 50,000 mg/kg TN; or 2) when biosolids are land applied at an application rate greater than two dry tons per acre per year.
    - ii. If the “Low Metals” criteria are exceeded, report the annual and cumulative pollutant loading rates in pounds per acre for each applicable pollutant, and report the percent of cumulative pollutant loading which has been reached at each site.
    - iii. Report the method used for compliance with pathogen and vector attraction requirements.
    - iv. Report soil test results for pH and phosphorus. If no soil was tested during the year, report the last date when tested and the results.



MISSOURI DEPARTMENT OF NATURAL RESOURCES  
WATER PROTECTION PROGRAM

**FORM B: APPLICATION FOR OPERATING PERMIT FOR FACILITIES THAT RECEIVE PRIMARILY DOMESTIC WASTE AND HAVE A DESIGN FLOW LESS THAN OR EQUAL TO 100,000 GALLONS PER DAY**

FOR AGENCY USE ONLY	
CHECK NUMBER	
DATE RECEIVED	FEE SUBMITTED
JETPAY CONFIRMATION NUMBER	

**READ THE ACCOMPANYING INSTRUCTIONS BEFORE COMPLETING THIS FORM**

**1. THIS APPLICATION IS FOR:**

- An operating permit for a new or unpermitted facility. Construction Permit # \_\_\_\_\_  
(Include completed antidegradation review or request for antidegradation review, see instructions)
- A new site-specific operating permit formerly general permit #MOG \_\_\_\_\_
- A site-specific operating permit renewal: Permit #MO- \_\_\_\_\_ Expiration Date \_\_\_\_\_
- A site-specific operating permit modification: Permit #MO- \_\_\_\_\_ Reason: \_\_\_\_\_
- General permit (NON-POTWs) (MOGD –discharging < 50,000 GPD or MOG823 – Land Application of Domestic Wastewater):  
Permit #MO- \_\_\_\_\_ Expiration Date \_\_\_\_\_

**1.1** Is the appropriate fee included with the application (see instructions for appropriate fee)?  YES  NO

**2. FACILITY**

NAME		TELEPHONE NUMBER WITH AREA CODE	
ADDRESS (PHYSICAL)	CITY	STATE	ZIP CODE

**2.1** Legal description: Sec. \_\_\_\_\_, T \_\_\_\_\_, R \_\_\_\_\_ County \_\_\_\_\_

**2.2** UTM Coordinates Easting (X): \_\_\_\_\_ Northing (Y): \_\_\_\_\_  
*For Universal Transverse Mercator (UTM), Zone 15 North referenced to North American Datum 1983 (NAD83)*

**2.3** Name of receiving stream: \_\_\_\_\_

**2.4** Number of outfalls: \_\_\_\_\_ Wastewater outfalls: \_\_\_\_\_ Stormwater outfalls: \_\_\_\_\_ Instream monitoring sites: \_\_\_\_\_

**3. OWNER:**

NAME		EMAIL ADDRESS	TELEPHONE NUMBER WITH AREA CODE
ADDRESS	CITY	STATE	ZIP CODE

**3.1** Request review of draft permit prior to public notice?  YES  NO

**3.2** Are you a publicly owned treatment works?  YES  NO  
**If yes**, please attach the Financial Questionnaire. See: <https://dnr.mo.gov/forms/780-2511-f.pdf>

**3.3** Are you a privately owned treatment works?  YES  NO

**3.4** Are you a privately owned treatment facility regulated by the Public Service Commission?  YES  NO

**4. CONTINUING AUTHORITY:**

NAME		EMAIL ADDRESS	TELEPHONE NUMBER WITH AREA CODE
ADDRESS	CITY	STATE	ZIP CODE

If the continuing authority is different than the owner, include a copy of the contract agreement between the two parties and a description of the responsibilities of both parties within the agreement.

**5. OPERATOR**

NAME	TITLE	CERTIFICATE NUMBER
EMAIL ADDRESS	TELEPHONE NUMBER WITH AREA CODE	

**6. FACILITY CONTACT**

NAME		TITLE	
EMAIL ADDRESS		TELEPHONE NUMBER WITH AREA CODE	
ADDRESS	CITY	STATE	ZIP CODE



## 7. DESCRIPTION OF FACILITY

**7.1 Process Flow Diagram or Schematic:** Provide a diagram showing the processes of the treatment plant. Show all of the treatment units, including disinfection (e.g. – chlorination and dechlorination), influents, and outfalls. Specify where samples are taken. Indicate any treatment process changes in the routing of wastewater during dry weather and peak wet weather. Include a brief narrative description of the diagram.

Attach sheets as necessary.

**7.2** Attach an aerial photograph or USGS topographic map showing the location of the facility and outfall.

Please see the following website:

<https://modnr.maps.arcgis.com/apps/webappviewer/index.html?id=1d81212e0854478ca0dae87c33c8c5ce>

**8. ADDITIONAL FACILITY INFORMATION**

**8.1** Number of people presently connected or population equivalent (P.E.) \_\_\_\_\_ Design P.E. \_\_\_\_\_

**8.2** Connections to the facility:  
 Number of units presently connected:  
 Residential: \_\_\_\_\_ Commercial: \_\_\_\_\_ Industrial: \_\_\_\_\_

**8.3** Design flow: \_\_\_\_\_ Actual flow: \_\_\_\_\_

**8.4** Will discharge be continuous through the year?  Yes  No  
 Discharge will occur during the following months: \_\_\_\_\_  
 How many days of the week will discharge occur? \_\_\_\_\_

**8.5** Is industrial wastewater discharged to the facility?  Yes  No  
**If yes**, attach a list of the industries that discharge to your facility

**8.6** Does the facility accept or process leachate from landfills?  Yes  No

**8.7** Is wastewater land applied?  Yes  No  
**If yes**, attach Form I. See: <https://dnr.mo.gov/forms/780-1686-f.pdf>

**8.8** Does the facility discharge to a losing stream or sinkhole?  Yes  No

**8.9** Has a wasteload allocation study been completed for this facility?  Yes  No

**9. LABORATORY CONTROL INFORMATION**

LABORATORY WORK CONDUCTED BY PLANT PERSONNEL

Lab work conducted outside of plant.  Yes  No

Push-button or visual methods for simple test such as pH, settleable solids.  Yes  No

Additional procedures such as dissolved oxygen, chemical oxygen demand, biological oxygen demand, titrations, solids, volatile content.  Yes  No

More advanced determinations, such as BOD seeding procedures, fecal coliform/*E. coli*, nutrients (including Ammonia), Oil & Grease, \ total oils, phenols, etc.  Yes  No

Highly sophisticated instrumentation, such as atomic absorption and gas chromatograph.  Yes  No

**10. COLLECTION SYSTEM**

**10.1** Are there any municipal satellite collection systems connected to this facility? \_\_\_\_\_ Yes \_\_\_\_\_ No  
 If yes, please list all connected to this facility, contact phone number and length of each collection system

FACILITY NAME	CONTACT PHONE NUMBER	LENGTH OF SYSTEM (FEET OR MILES)

**10.2** Length of pipe in the sewer collection system? (If available, include totals from satellite collection systems)  
 \_\_\_\_\_ Feet, or \_\_\_\_\_ Miles (either unit is appropriate)

**10.3** Does significant infiltration occur in the collection system?  Yes  No  
 If yes, briefly explain any steps underway or planned to minimize inflow and infiltration:

**11. BYPASSING**

Does any bypassing occur in the collection system or at the treatment facility?  Yes  No

If yes, explain:

**12. SLUDGE HANDLING, USE AND DISPOSAL**

**12.1** Is the sludge a hazardous waste as defined by 10 CSR 25?  Yes  No

**12.2** Sludge production, including sludge received from others: \_\_\_\_\_ Design dry tons/year \_\_\_\_\_ Actual dry tons/year

**12.3** Capacity of sludge holding structures:  
Sludge storage provided: \_\_\_\_\_ cubic feet; \_\_\_\_\_ days of storage; \_\_\_\_\_ average percent solids of sludge;  
 No sludge storage is provided.  Sludge is stored in lagoon.

**12.4** Type of Storage:  Holding tank  Building  
 Basin  Lagoon  
 Concrete Pad  Other (Describe) \_\_\_\_\_

**12.5** Sludge Treatment:  
 Anaerobic Digester  Lagoon  Composting  
 Storage Tank  Aerobic Digester  Other (Attach description)  
 Lime Stabilization  Air or Heat Drying

**12.6** Sludge Use or Disposal:  
 Land Application  Surface Disposal (Sludge Disposal Lagoon, Sludge held for more than two years)  
 Contract Hauler  Hauled to Another treatment facility  
 Incineration  Sludge Retained in Wastewater treatment lagoon  
 Solid waste landfill

**12.7** Person responsible for hauling sludge to disposal facility:  
 By applicant  By others (complete below)

NAME		EMAIL ADDRESS	
ADDRESS	CITY	STATE	ZIP CODE
CONTACT PERSON	TELEPHONE NUMBER WITH AREA CODE	PERMIT NO. MO-	

**12.8** Sludge use or disposal facility  
 By applicant  By others (Complete below.)

NAME		EMAIL ADDRESS	
ADDRESS	CITY	STATE	ZIP CODE
CONTACT PERSON	TELEPHONE NUMBER WITH AREA CODE	PERMIT NO. MO-	

**12.9** Does the sludge or biosolids disposal comply with federal sludge regulations under 40 CFR 503?  
 Yes  No (Explain)

**13. ELECTRONIC DISCHARGE MONITORING REPORT (eDMR) SUBMISSION SYSTEM**

Per 40 CFR Part 127, National Pollutant Discharge Elimination System (NPDES) Electronic Reporting Rule, reporting of effluent limits and monitoring shall be submitted by the permittee via an electronic system to ensure a timely, complete, accurate, and nationally- consistent set of data. One of the following options must be checked in order for this application to be considered complete. Visit <https://dnr.mo.gov/env/wpp/edmr.htm> to for information on the Department's eDMR system and how to register.

- I will register an account online to participate in the Department's eDMR system through the Missouri Gateway for Environmental Management (MoGEM) before any reporting is due, in compliance with the Electronic Reporting Rule.
- I have already registered an account online to participate in the Department's eDMR system through MoGEM.
- I have submitted a written request for a waiver from electronic reporting. See instructions for further information regarding waivers.
- The permit I am applying for does not require the submission of discharge monitoring reports.

**14. JETPAY**

Permit fees may be paid online by credit card or eCheck through a system called JetPay. Use the URL provided to access JetPay and make an online payment.

New Site Specific Permit: <https://magic.collectorsolutions.com/magic-ui/payments/mo-natural-resources/591/>

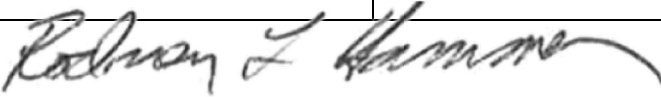
Construction Permits: <https://magic.collectorsolutions.com/magic-ui/payments/mo-natural-resources/592/>

Modification Fee: <https://magic.collectorsolutions.com/magic-ui/payments/mo-natural-resources/596/>

New General Domestic WW: <https://magic.collectorsolutions.com/magic-ui/payments/mo-natural-resources/772/>

**15. CERTIFICATION**

I certify under penalty of law that this document and all attachments were prepared under my direction or supervision in accordance with a system designed to assure that qualified personnel properly gather and evaluate the information submitted. Based on my inquiry of the person or persons who manage the system, or those persons directly responsible for gathering the information, the information submitted is, to the best of my knowledge and belief, true, accurate, and complete. I am aware that there are significant penalties for submitting false information, including the possibility of fine and imprisonment for knowing violations.

NAME (TYPE OR PRINT)	OFFICIAL TITLE	TELEPHONE NUMBER WITH AREA CODE
SIGNATURE 		DATE SIGNED

**INSTRUCTIONS FOR COMPLETING FORM B: APPLICATION FOR OPERATING PERMIT FOR FACILITIES THAT RECEIVE PRIMARILY DOMESTIC WASTE AND HAVE A DESIGN FLOW LESS THAN OR EQUAL TO 100,000 GALLONS PER DAY**  
**(Facilities over 100,000 gallons per day of domestic waste must use FORM B2)**  
**(Facilities that receive wastes other than domestic contact the department)**

1. Check the appropriate box. **Do not check more than one item.** Operating permit refers to a permit issued by the Department of Natural Resources' Water Protection Program. If an Antidegradation Review has not been conducted, submit the application located at the following link to the Missouri Department of Natural Resources, Water Protection Program, P.O. Box 176, Jefferson City, MO 65102: [dnr.mo.gov/forms/780-1893-f.pdf](http://dnr.mo.gov/forms/780-1893-f.pdf).

1.1 **Fees Information:**

**DOMESTIC OPERATING PERMIT FEES – PRIVATE**

Annual operating permit fees are based on flow.

Annual fee/Design flow	Annual fee/Design flow	Annual fee/Design flow
\$150.....<5,000 gpd	\$1,000.....15,000-24,999 gpd	\$4,000.....100,000-249,999 gpd
\$300.....5,000-9,999 gpd	\$1,500.....25,000-29,999 gpd	\$5,000.....≥250,000 gpd
\$600.....10,000-14,999 gpd	\$3,000.....30,000-99,999 gpd	

New domestic wastewater treatment facilities must submit the annual fee with the original application.

**If the application is for a site-specific permit re-issuance, send no fees.** You will be invoiced separately by the department on the anniversary date of the original permit. Permit fees must be current for the department to reissue the operating permit. Late fees of 2% per month are charged and added to outstanding annual fees.

**PUBLIC SEWER SYSTEM OPERATING PERMIT FEES** (city, public sewer district, public water district, or other publicly owned treatment works that charge a service connection fee). Annual fee is based on number of service connections. Fees listings are found in 10 CSR 20-6.011 which is available at <http://s1.sos.mo.gov/cmsimages/adrules/csr/current/10csr/10c20-6.pdf>. New public sewer system facilities should not submit any fee as the department will invoice the permittee.

**OPERATING PERMIT MODIFICATIONS**, including transfers, are subject to the following fees:

- a. Operating permits that charge a service connection fee - \$200 each.
- b. All other permits
  - (1) \$100 each for a minor modification (name changes, address changes, other non-substantive changes) or
  - (2) A fee equal to 25% of the facility's annual operating fee for a major modification.

2. Name of Facility – Include the name by which this facility is locally known. Example: Southwest Sewage Treatment Plant, Country Club Mobile Home Park, etc. Provide the street address or location of the facility. If the facility lacks a street name or route number, provide the names of the closest intersection, highway, country road, etc.

2.1 Self-explanatory

2.2 Global Positioning System, or GPS, is a satellite-based navigation system. The department prefers that a GPS receiver is used at the outfall pipe and the displayed coordinates submitted. If access to a GPS receiver is not available, use a mapping system to approximate the coordinates; the department's mapping system is available at <https://modnr.maps.arcgis.com/apps/webappviewer/index.html?id=1d81212e0854478ca0dae87c33c8c5ce>.

2.3-2.4 Self-explanatory

3. Owner – Provide the legal name, mailing address, phone number, and email address of the owner. The owner identified in this section and subsequently reflected on the certificate page of the operating permit, is the owner of the regulated activity/discharge being applied for and is not necessarily the owner of the real property on which the activity or discharge is occurring.

Prior to submitting a permit to public notice, the Department of Natural Resources shall provide the permit applicant 10 days to review the draft permit for nonsubstantive drafting errors. In the interest of expediting permit issuance, permit applicants may waive the opportunity to review draft permits prior to public notice.

3.2-3.4 Self-explanatory. The Financial Questionnaire is available at: <https://dnr.mo.gov/forms/780-2511-f.pdf>

4. Continuing Authority - A continuing authority is a company, business, entity or person(s) that will be operating the facility and/or ensuring compliance with the permit requirements. A continuing authority is not, however, an entity or individual that is contractually hired by the permittee to sample or operate and maintain the system for a defined time period, such as a certified operator or analytical laboratory. To access the regulatory requirement regarding continuing authority, 10 CSR 20-6.010(2), please visit <http://s1.sos.mo.gov/cmsimages/adrules/csr/current/10csr/10c20-6.pdf> . If the continuing authority is not an individual(s), government, or otherwise required to register with the Missouri Secretary of State (SoS), then the business name must be listed exactly as it appears on the SoS's webpage:

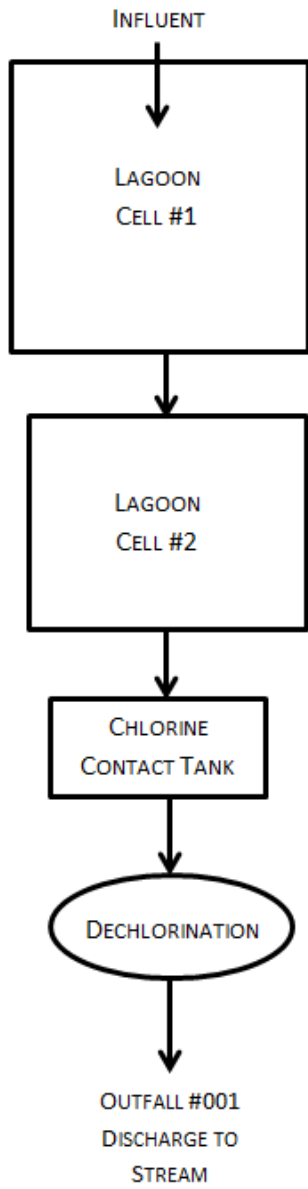
<https://bsd.sos.mo.gov/BusinessEntity/BESearch.aspx?SearchType=0>

5. Operator – Provide the name, certificate number, title, mailing address, primary phone number, and e-mail address of the operator of the facility.

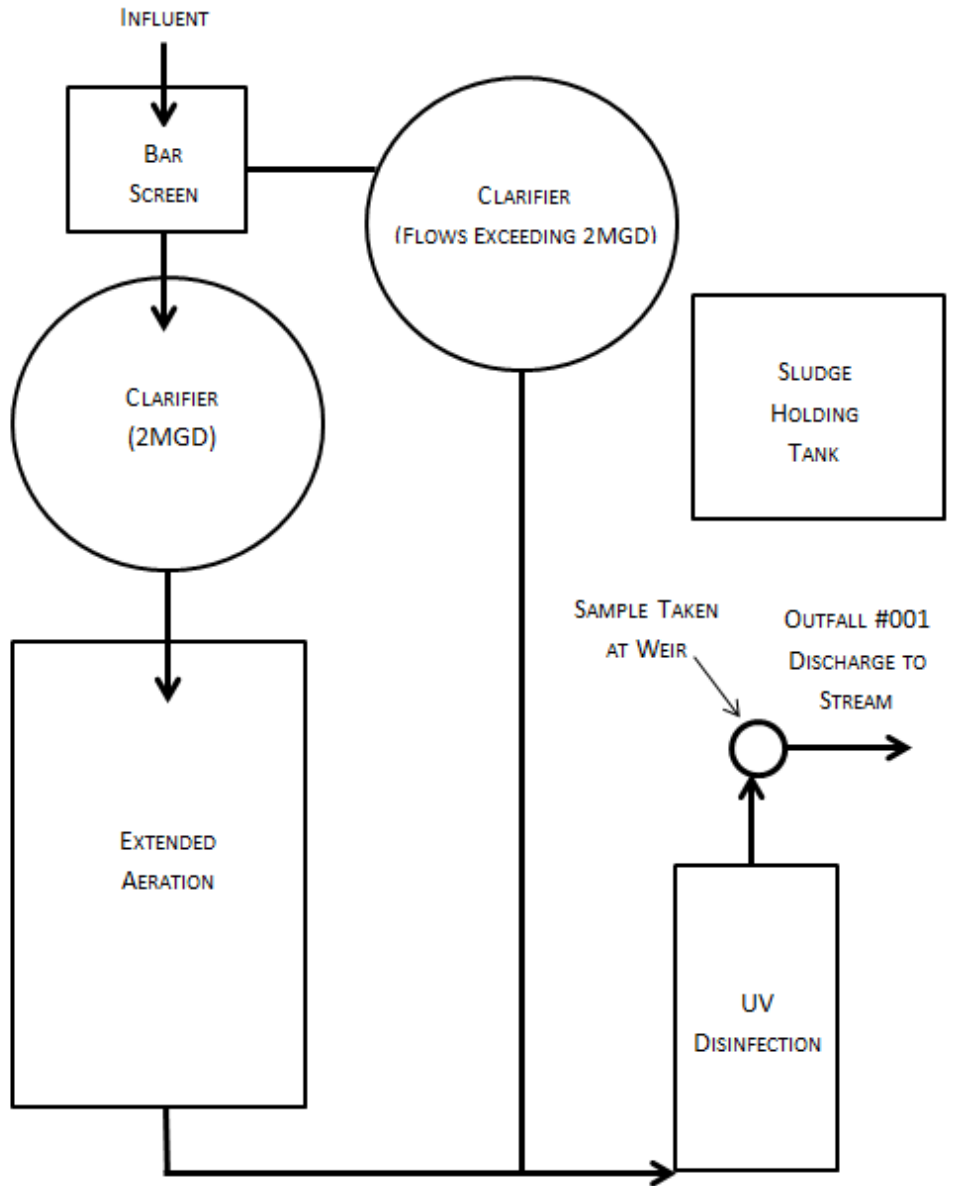
6. Provide the name, title, mailing address, primary phone number, and e-mail address of a person who is thoroughly familiar with the operation of the facility and with the facts reported in this application and who can be contacted by the department.

7.1 Process Flow Diagram Examples

WASTEWATER TREATMENT LAGOON



WASTEWATER TREATMENT FACILITY



7.2 A topographic map is available on the Web at <https://modnr.maps.arcgis.com/apps/webappviewer/index.html?id=1d81212e0854478ca0dae87c33c8c5ce> or from the Department of Natural Resources' Geological Survey Division in Rolla at 573-368-2125.

8.1-8.6 Self-explanatory.

8.7 If wastewater is land applied submit Form I: [www.dnr.mo.gov/forms/780-1686-f.pdf](http://www.dnr.mo.gov/forms/780-1686-f.pdf).

8.9-8.9 Self-explanatory

**INSTRUCTIONS FOR COMPLETING FORM B: APPLICATION FOR OPERATING PERMIT FOR FACILITIES  
THAT RECEIVE PRIMARILY DOMESTIC WASTE AND HAVE A DESIGN FLOW  
LESS THAN OR EQUAL TO 100,000 GALLONS PER DAY (continued)**

9. Self-explanatory.
- 10.1 Self-explanatory.
- 10.2 Self-explanatory
- 10.3 If Inflow and Infiltration (I&I) is a problem at the facility, list possible actions to be taken to repair the collection and treatment facility.
11. Include overflows of combined sewers and lift stations or bypassing of the wastewater treatment facility. Provide a detailed description of the circumstances that sewage bypassing occurs and the frequency of occurrence.
12. A copy of 10 CSR 25 is available on the Web at [www.sos.mo.gov/adrules/csr/current/10csr/10csr.asp#10-25](http://www.sos.mo.gov/adrules/csr/current/10csr/10csr.asp#10-25).
- 12.1-12.8 Self-explanatory.
- 12.9 Refer to University of Missouri Extension Environmental Quality publications about biosolids (WQ420-WQ426). The documents are available at [extension.missouri.edu/main/DisplayCategory.aspx?C=74](http://extension.missouri.edu/main/DisplayCategory.aspx?C=74). In addition, the federal sludge regulations are available through the U.S. Government Printing Office at <https://www.gpo.gov/fdsys/browse/collectionCfr.action?collectionCode=CFR>.
13. Electronic Discharge Monitoring Report (eDMR) Submission System – Visit the eDMR site at <http://dnr.mo.gov/env/wpp/edmr.htm> and click on the “Facility Participation Package” link. The eDMR Permit Holder and Certifier Registration Form and information about the eDMR system can be found in the Facility Participation Package. Waivers to electronic reporting may be granted by the Department per 40 CFR 127.15 under certain, special circumstances. A written request must be submitted to the Department for approval. Waivers may be granted to facilities owned or operated by:
- members of religious communities that choose not to use certain technologies.
  - permittees located in areas with limited broadband access. The National Telecommunications and Information Administration (NTIA) in collaboration with the Federal Communications Commission (FCC) have created a broadband internet availability map: <https://broadbandmap.fcc.gov/#/>. Please contact the department if you need assistance.
14. JETPAY
- Applicants can pay fees online by credit card or eCheck through a system called JetPay.
- Per Section 37.001, RSMo, a transaction fee will be included. The transaction fee is paid to the third party vendor JetPay, not the Department of Natural Resources.
  - Be sure to select the correct fee type and corresponding URL to ensure your payment is applied appropriately. If you are unsure what type of fee to pay, please contact the Water Protection Program’s Budget, Fees, and Grants Management Unit by phone at (573) 522-1485 for assistance.
  - Upon successful completion of your payment, JetPay provides a payment confirmation. Submit this form with a copy of the payment confirmation if requesting a new permit or a permit modification. For permit renewals of active permits, the Department will invoice fees annually in a separate request.
  - If you are unable to make your payment online, but want to pay with credit card, you may email your name, phone number, and invoice number, if applicable, to [sherry.bell@dnr.mo.gov](mailto:sherry.bell@dnr.mo.gov). The Budget, Fees, and Grants Management Unit will contact you to assist with the credit card payment. **Please do not include your credit card information in the email.**
  - Applicants can find fee rates in 10 CSR 20-6.011 (<https://dnr.mo.gov/pubs/pub2564.htm>).
15. CERTIFICATION
- Signature - All applications must be signed as follows and the signatures must be **handwritten**:
- For a corporation, by an officer having responsibility for the overall operation of the regulated facility or activity or for environmental matters.
  - For a partnership or sole proprietorship, by a general partner or the proprietor.
  - For a municipal, state, federal or other public facility, by either a principal executive officer or by an individual having overall responsibility for environmental matters at the facility.

**Submittal of an incomplete application may result in the application being returned.**

This completed form and any attachments along with the applicable permit fees, should be submitted to:  
[cleanwaterpermits@dnr.mo.gov](mailto:cleanwaterpermits@dnr.mo.gov)

OR

Department of Natural Resources  
Water Protection Program  
ATTN: NPDES Permits and Engineering Section  
P.O. Box 176  
Jefferson City, MO 65102

Map of regional offices with addresses and phone numbers are available on the Web at <http://dnr.mo.gov/regions/>. If there are any questions concerning this form, contact the appropriate regional office or the Department of Natural Resources, Water Protection Program, Operating Permits Section at 800-361-4827 or 573-522-4502.