
PERMIT DRAWINGS FOR THE

BRIDGETON LANDFILL

2020 Q3 GCCS INSTALLATION

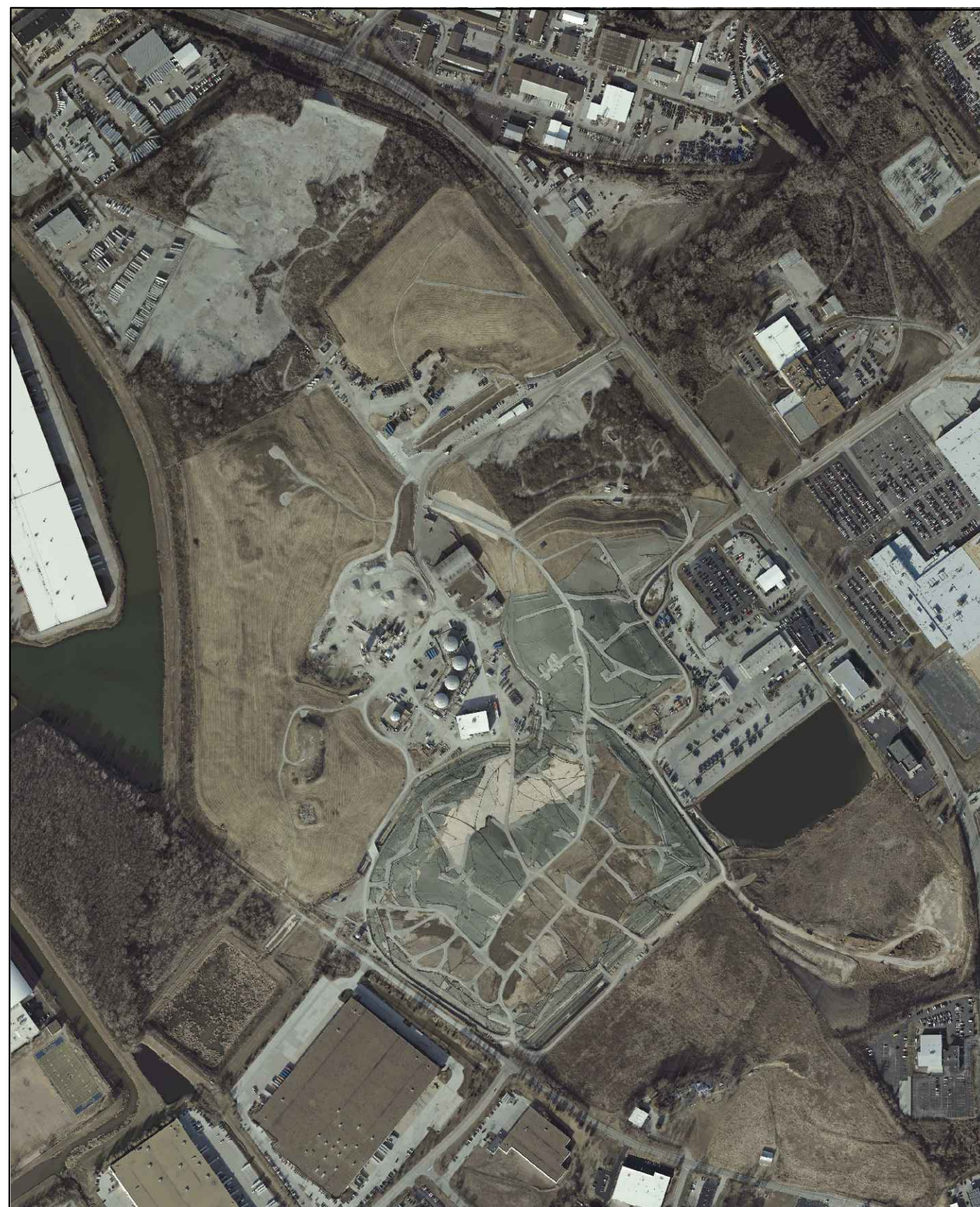
JULY 2020
PREPARED FOR:

Bridgeton Landfill, LLC

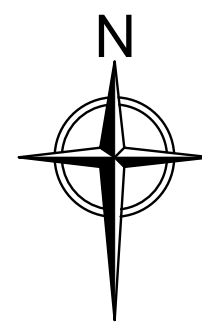
13570 ST. CHARLES ROCK ROAD
BRIDGETON, MISSOURI 63044



3377 HOLLENBERG DRIVE
BRIDGETON, MO 63044
TEL. (217) 483-3118



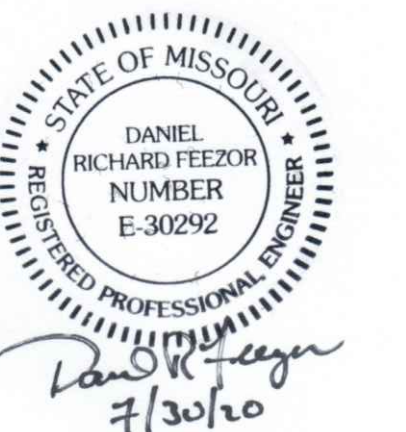
LOCATION MAP



INDEX OF DRAWINGS

	TITLE PAGE
001	GCCS PLAN VIEW
002	DETAILS

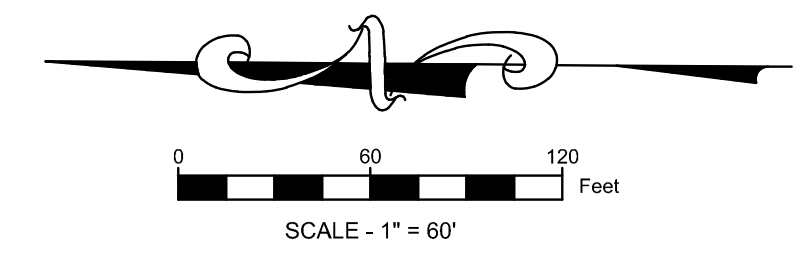
FOR PERMITTING PURPOSES ONLY





LEGEND

	SOLID WASTE BOUNDARY
	QUARRY WALL
	GAS EXTRACTION WELL
	PERIMETER GAS EXTRACTION WELL
	SURFACE EXTRACTION WELL
	CONDENSATE SUMP
	PERIMETER GAS EXTRACTION WELL
	GAS INTERCEPTOR WELL
	GAS INTERCEPTOR WELL/HEAT EXTRACTION POINT
	GAS EXTRACTION WELL WITH 4" STINGER
	PROPOSED 2020 GAS EXTRACTION WELL

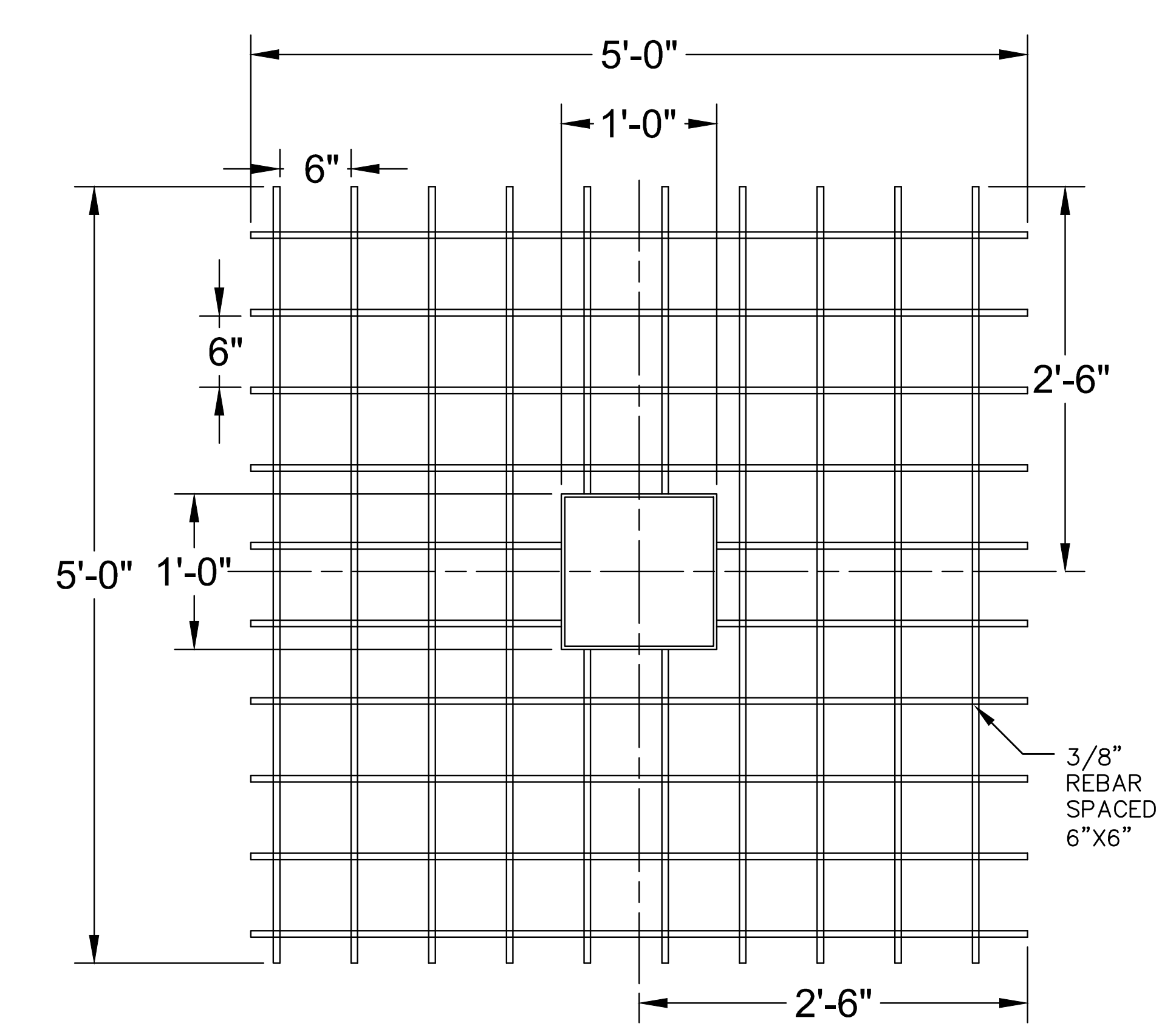
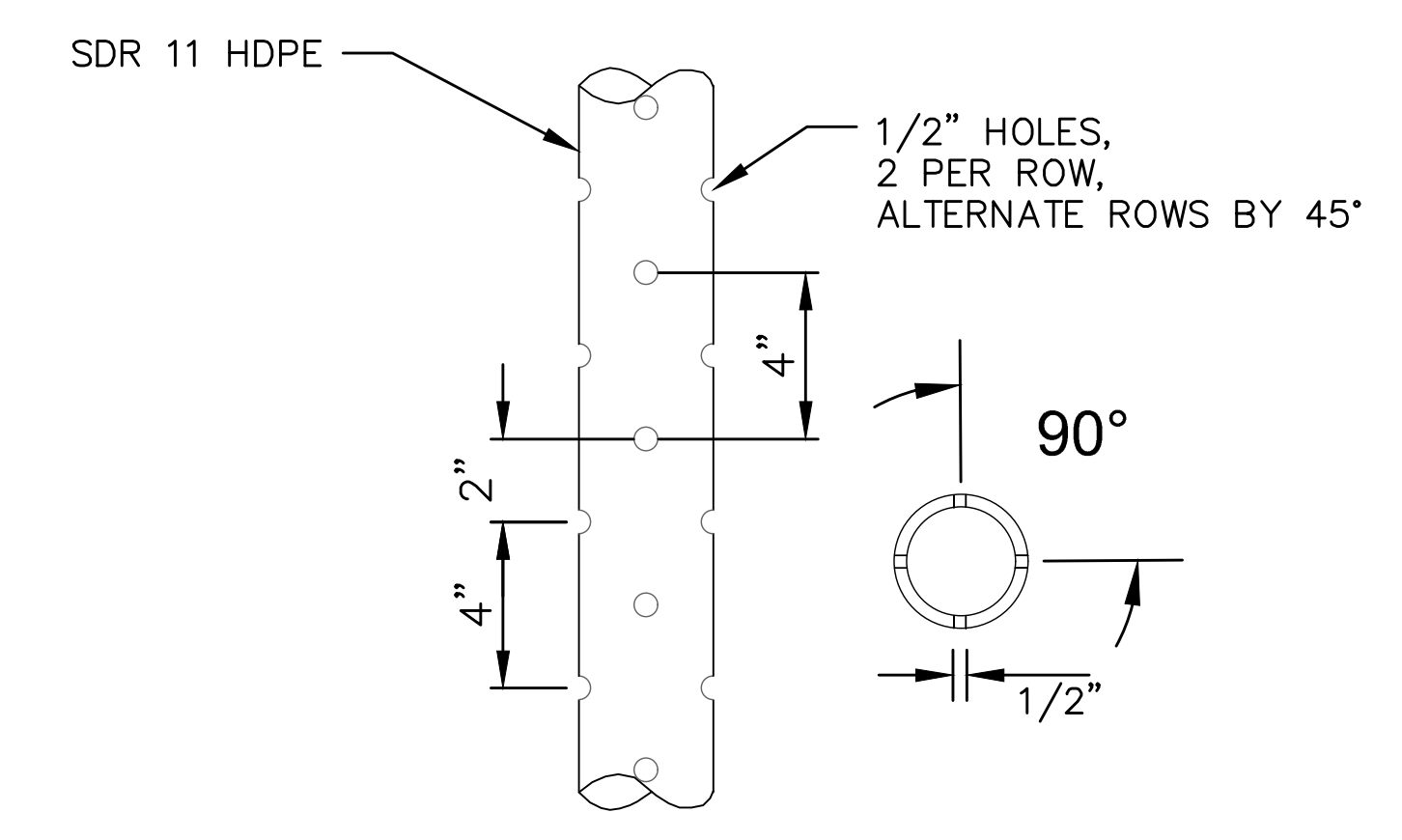
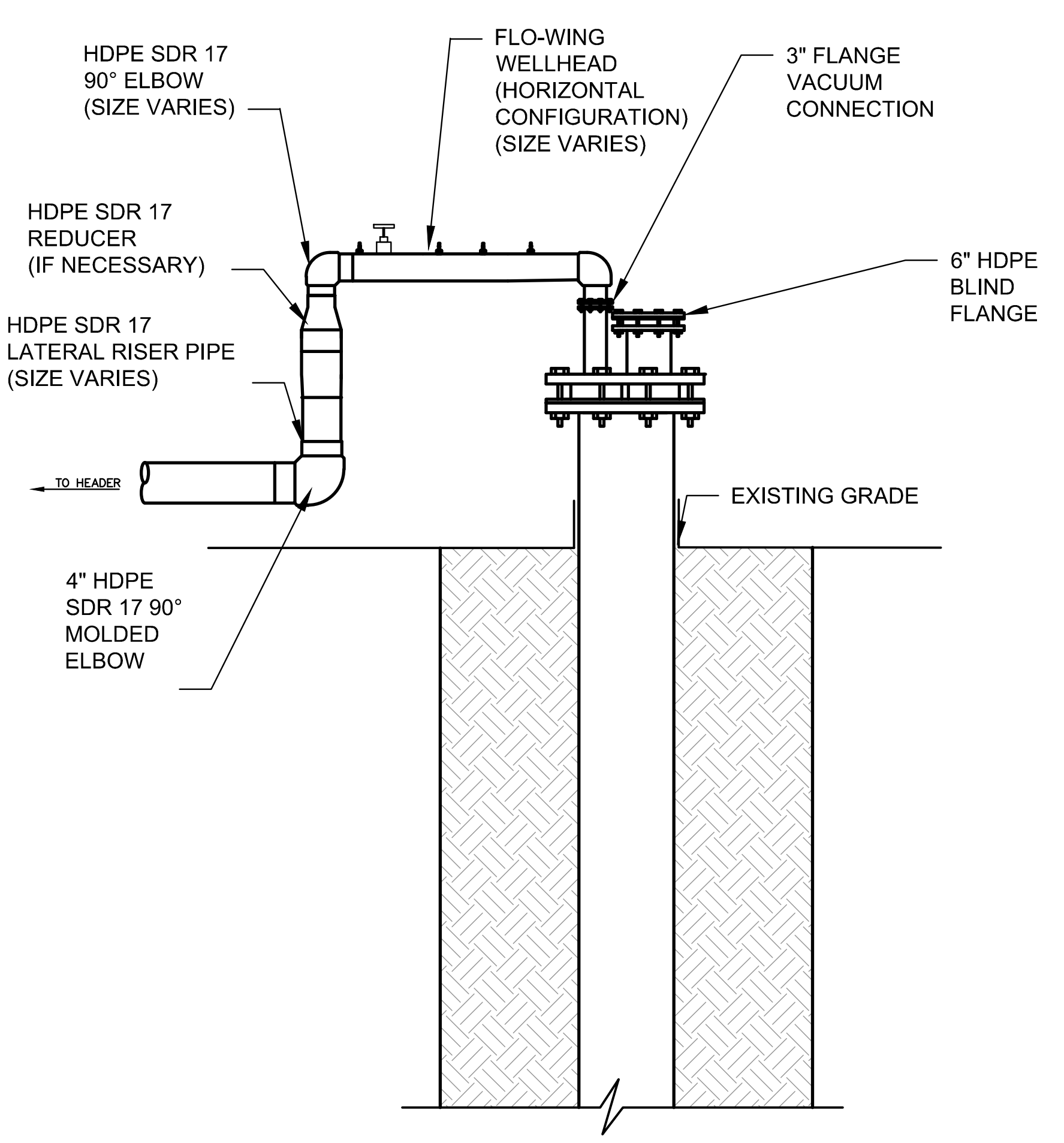
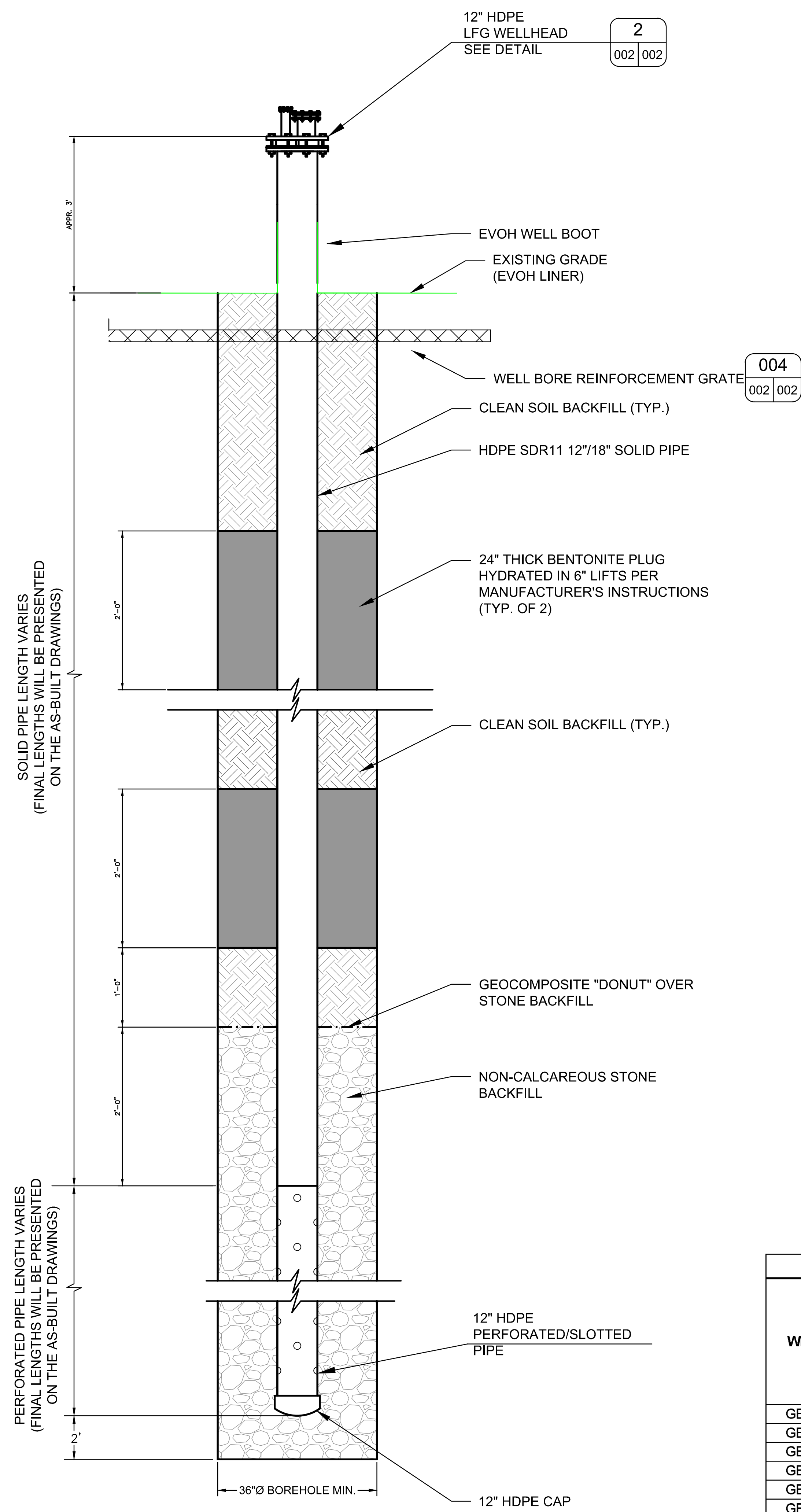


FOR PERMITTING PURPOSES ONLY

NOTES:

- AERIAL TOPOGRAPHY PROVIDED BY COOPER AERIAL SURVEYS CO. AND IS DATED DECEMBER 10, 2019

<p>PROJECT BRIDGETON LANDFILL 2020 GCCS INSTALLATION BRIDGETON, ST. LOUIS COUNTY, MO</p>	<p>PREPARED FOR BRIDGETON LANDFILL, LLC. 13570 ST. CHARLES ROCK ROAD BRIDGETON, MISSOURI 63044</p>	<p>DESIGNED BY: AMR APPROVED BY: DRF</p>	<p>JULY 2020 DRAWING # 001</p>																
<p>DRAWING TITLE 2020 GCCS PLAN VIEW</p>			<p>REVISIONS:</p> <table border="1"> <thead> <tr> <th>NO.</th> <th>DATE</th> <th>DSN.</th> <th>APPV.</th> </tr> </thead> <tbody> <tr> <td> </td> <td> </td> <td> </td> <td> </td> </tr> <tr> <td> </td> <td> </td> <td> </td> <td> </td> </tr> <tr> <td> </td> <td> </td> <td> </td> <td> </td> </tr> </tbody> </table>	NO.	DATE	DSN.	APPV.												
NO.	DATE	DSN.	APPV.																
<p>PROJECT NUMBER: BT-14320 FILE PATH: C:\Users\daniel.feezor\Documents\Projects\2020-07-20-2020 GCCS Installation\2020 GCCS Plan View.dwg Project Location: Bridgeton, Missouri</p>																			



2020 Q3 WELL SCHEDULE

WELL ID	Northing	Easting	Ground Elevation	Bottom of	Quarry Bottom	Db	Solid Pipe Above Grade	Solid Pipe Below Grade	Dp	Thickness of Gravel Pack
			(7/28/2020 Survey)	Boring	1979 Topo					
			(Feet MSL)	(Feet MSL)	(Feet MSL)	(Feet)	(Feet)	(Feet)	(Feet)	(Feet)
GEW-241	1,067,107.0	516,734.2	489.8	379.8	357.9	110	3	25	83	87
GEW-242	1,067,029.0	516,546.3	492.3	372.3	240.0	120	3	18	100	104
GEW-243	1,066,566.0	515,838.8	488.7	368.7	278.9	120	3	18	100	104
GEW-244	1,066,655.0	515,712.1	487.3	447.3	429.1	40	3	18	20	24
GEW-245	1,066,716.0	515,589.1	477.8	357.8	297.8	120	3	18	100	104
GEW-246	1,067,562.0	515,915.6	473.1	353.1	246.6	120	3	18	100	104
GEW-247	1,067,498.0	516,536.6	483.3	363.3	240.0	120	3	18	100	104
GEW-248	1,067,375.0	516,528.0	489.8	369.8	240.0	120	3	18	100	104
GEW-249	1,067,259.0	516,788.8	495.6	375.6	240.0	120	3	18	100	104
GEW-250	1,067,113.0	515,451.1	469.2	369.2	340.0	100	3	18	80	84
GEW-251	1,067,450.0	516,129.2	473.4	353.4	240.0	120	3	18	100	104
GEW-252	1,067,186.7	516,530.5	493.5	373.5	240.0	120	3	18	100	104
GEW-253	1,066,998.0	515,829.3	495.8	375.8	240.0	120	3	18	100	104

Notes:
"Quarry Bottom" elevation taken from 1979 topography obtained from Aquaterra

LFG EXTRACTION WELL CONSTRUCTION AND MATERIALS MAY BE ADJUSTED BASED ON FIELD CONDITIONS AS APPROVED BY THE DESIGN ENGINEER. FINAL CONFIGURATION WILL BE PRESENTED IN THE AS-BUILT RECORD DRAWINGS.

FOR PERMITTING PURPOSES ONLY

NOTES:
• AERIAL TOPOGRAPHY PROVIDED BY COOPER AERIAL SURVEYS CO. AND IS DATED DECEMBER 10, 2019

	FEEZOR ENGINEERING, INC. 3377 Hohenberg Dr., Bridgeton, MO 63044 Ph: 217-483-3119 Missouri State Certificate Of Authority #: E-200912213	PROJECT: BRIDGETON LANDFILL 2020 GCS INSTALLATION BRIDGETON, ST. LOUIS COUNTY, MO	PREPARED FOR: BRIDGETON LANDFILL, LLC. 13570 ST. CHARLES ROCK ROAD BRIDGETON, MISSOURI 63044	JULY 2020 DESIGNED BY: AMR APPROVED BY: DRF REVISIONS: DATE DSN. APV.	DRAWING # 002
--	--	--	---	--	-------------------------

DETAILS 1